

PVC WINDOWS



WIŚNIEWSKI

GATES | WINDOWS | DOORS | FENCES

WINDOWS PRIMO 70

Intended use: PVC windows are intended for residential housing, industrial buildings and public utility facilities.



THERMAL INSULATION

The thermal transmittance factor of the entire window from 1.0 W/m²K for the PRIMO 70 windows. The values apply to window size 1,230 x 1,480 [mm].



SAFETY

Unwelcome guests? Not in a house furnished with WIŚNIEWSKI windows. Their precision-made structure ensures burglary resistance.



WARRANTY

WIŚNIEWSKI windows are covered by a 7-year warranty. This is just to be on the safe side, but we want you to know that you can count on us.



PVC WINDOWS CAN BE GROUPED AS FOLLOWS:

- according to the number of leaves: single-leaf, double-leaf, three-leaf, multi-leaf,
- according to the opening method: fixed windows, turn-only (side hung) windows, tilt-only (awning/hopper) windows, tilt and turn windows, turn and tilt windows, tilt and slide patio door, parallel-stop-slide.

PRIMO 70



Also available
in a 3-glass version

WINDOW CHARACTERISTICS:

- Class A 5-chamber profiles, installation depth 70 [mm]
- Non-flush with the frame – straight.
- Invisible effect (seam) profile joint, an arrangement of two gaskets (outer and inner)
- Fitted as standard is a single-chamber glazing unit 4/16/4 Ug=1.1 W/m²K in acc. with EN 673, glazing bead 107.214, optionally two-chamber glazing unit, a panel 24-40 [mm] thick infilled with extruded polystyrene XPS
- Glass units 24 [mm] to 40 [mm] thick can be used
- Reinforcement made of galvanized steel: frame 1.5 [mm] 113.025, steel box section, white leaf 1.5 [mm] 113.292, film coating 1.75 [mm] 113.294.2
- Bonded gasket – black, grey, caramel
- Profile core – two-sided film coating: caramel, brown, white, single-side film coating: white
- Sound insulation RW=33(-1,-5)
- Thermal insulation of the reference window 1.23 [m] x 1.48 [m] RU: Uw = 1.0 W/ m²K with a 2-chamber glass unit Ug = 0.7 W/m²K with a warm edge,
- Burglary resistance up to class RC2
- Available in the following versions: with a low threshold (PRIMO 70 with a low threshold), as patio door: tilt and slide PSK (PRIMO PSK-70).

STANDARD WINDOW ACCESSORIES

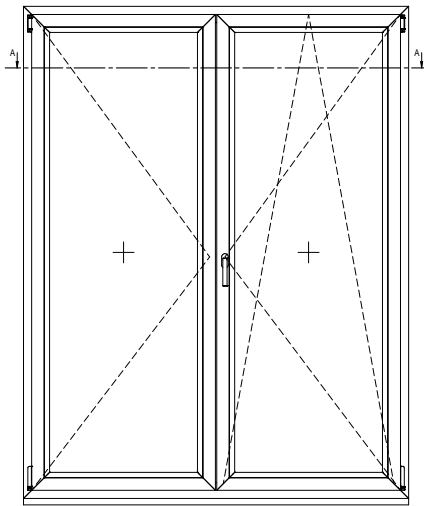
- drive gear with a lifting mishandling device and leaf lifter,
- all moving rollers i.S.,
- alloy strikers; additionally, the U, R and RU leaf features two anti-burglary strikers,
- in RU leaves, bottom striker plate as standard,
- microventilation in scissor stay,
- surface hinges with contact pressure adjustment in three dimensions,
- anti-draught lock in RU leaves,
- aluminium handle,
- infilled bottom hardware groove opening frame,
- the standard glass unit for the PRIMO 70 system is 4/16/4, Ug=1.1 W/m²K in acc. with EN-673,
- 7-chamber transport and installation bar,
- band handles for handling windows,
- installation anchors,
- widening system 30 [mm] in white for balcony windows with a low threshold,
- transport slides.



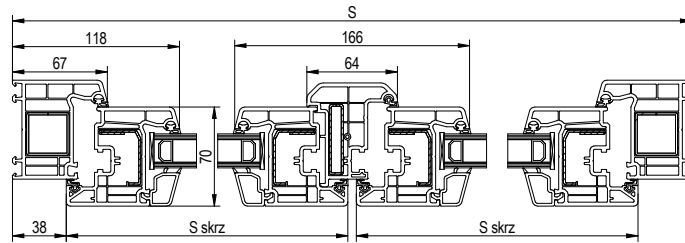
CROSS-SECTIONS AND VIEWS

Double-leaf PRIMO 70 window with a moving post

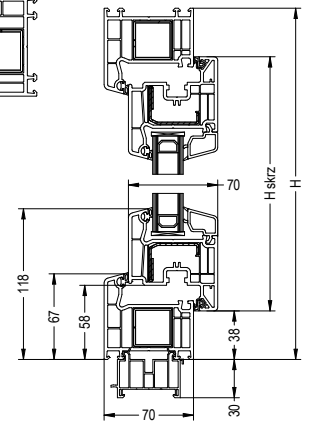
As seen from the inside



Horizontal cross-section

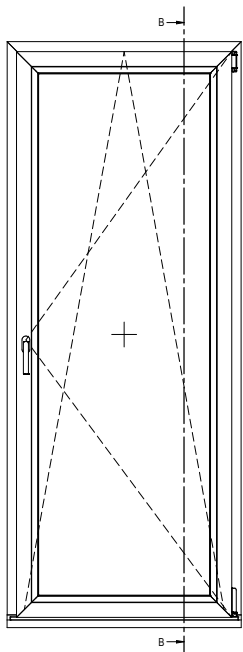


Vertical cross-section

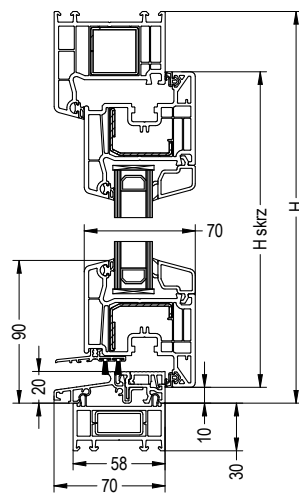


Single-leaf PRIMO 70 window with a low threshold

As seen from the inside



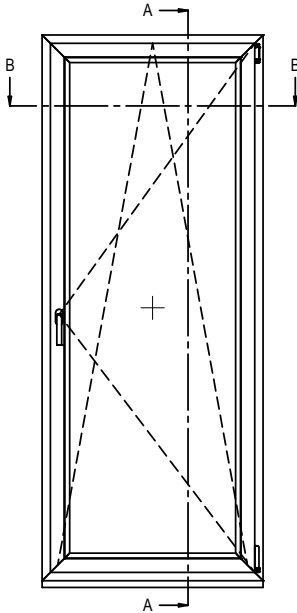
Vertical cross-section



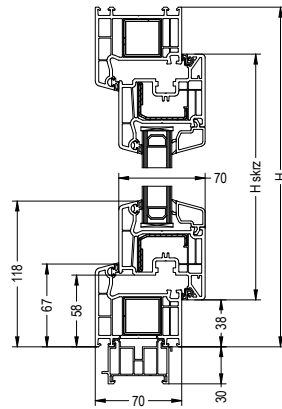


PRIMO 70 single-leaf window

As seen from the inside

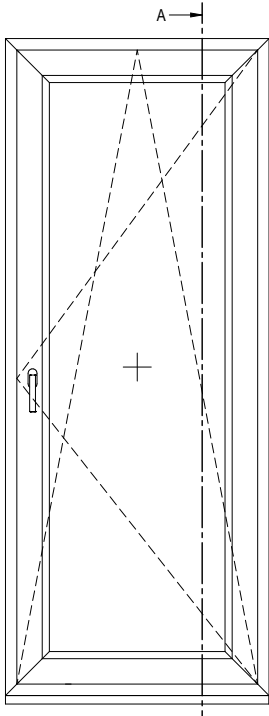


Vertical cross-section

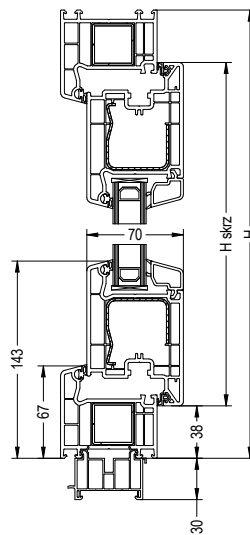


Single-leaf, turn and tilt PRIMO 70 window, wide leaf

As seen from the inside



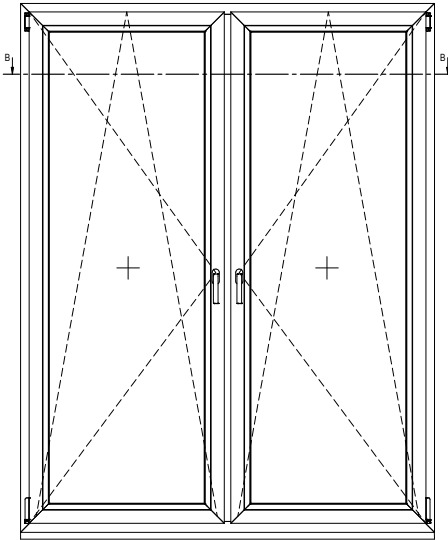
Vertical cross-section



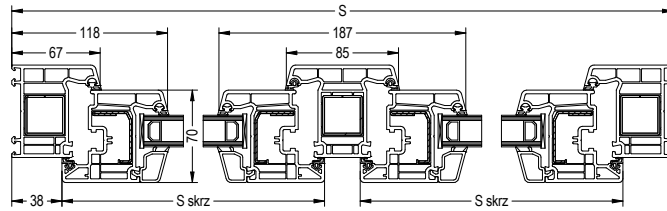


Double-leaf PRIMO 70 window with a fixed post

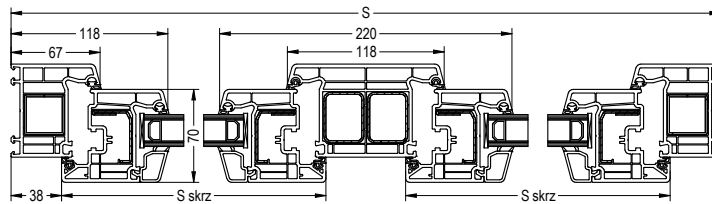
As seen from the inside



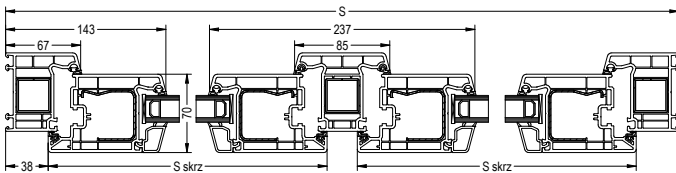
Horizontal cross-section, window leaf, standard post



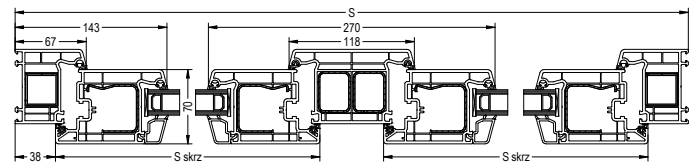
Horizontal cross-section, window leaf, wide post



Horizontal cross-section, wide leaf, standard post



Horizontal cross-section, wide leaf, wide post





PRIMO PSK-70,

in a standard, automatic, and parallel-stop-slide PAS version, also in a version with an aluminium cover plate



PARALLEL SLIDING DOOR

Available in the PSK-S, PSK-Z, and PSK-PAS versions. The running system track is installed in the bottom section of the opening frame, which makes it visible to the user. The carriages are installed on the inner side of the sliding leaf.

PSK-S STANDARD VERSION – manually operated, parallel tilt and slide door without motor support.

PSK-Z AUTOMATIC VERSION – automated, parallel tilt and slide door. This system features an additional control function “in the handle,” which makes it easier to tilt, slide, and close even very heavy leaves, and the integrated catch system enables easy transition between the sliding and tilting position.

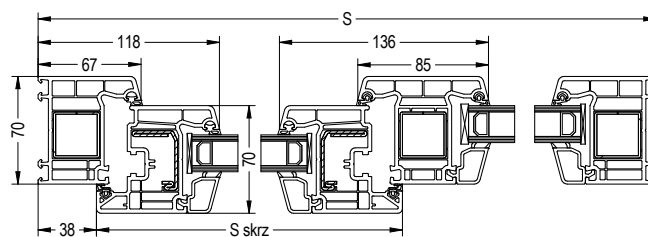
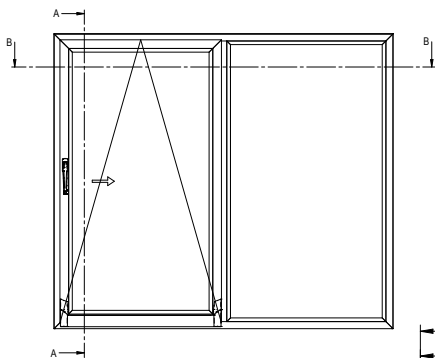
PSK-PAS PARALLEL-STOP-SLIDE VERSION – the PSK-PAS system enables three functions: sliding, latching, and gap ventilation – parallel action gap up to 6 [mm] from the frame. The built-in damper stores energy and allows the sliding door to be easily closed shut.

PRIMO 70 patio window – PSK fix in the frame – Scheme A

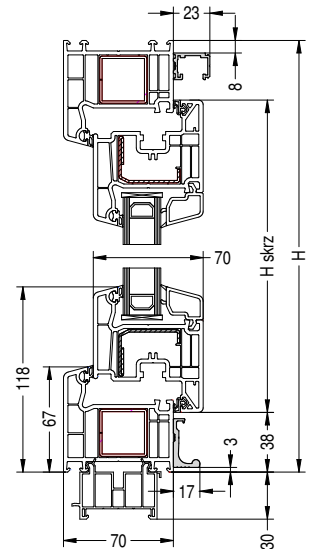
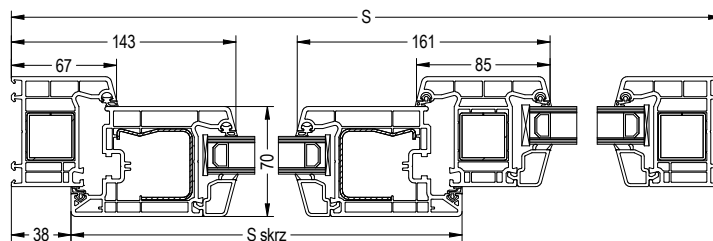
As seen from the inside

Horizontal cross-section of a window leaf

Vertical cross-section

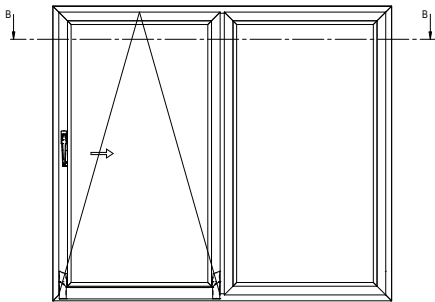


Horizontal cross-section of a wide leaf

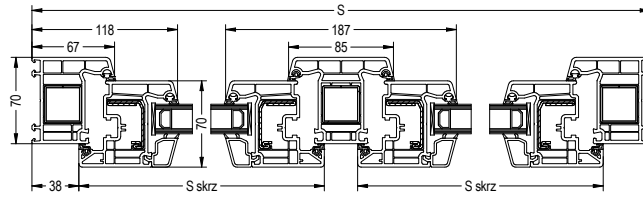


PRIMO 70 patio window – PSK fix in the leaf – Scheme A

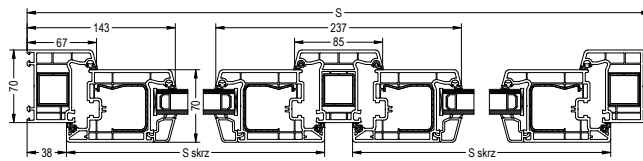
As seen from the inside



Horizontal cross-section of a window leaf

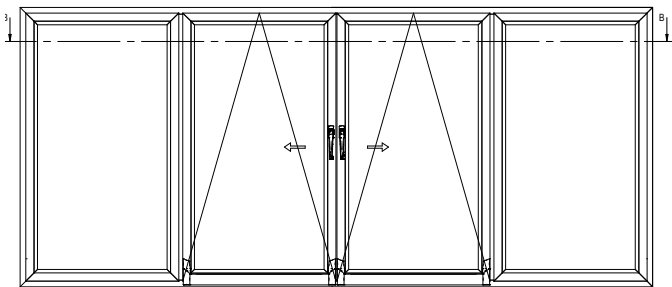


Horizontal cross-section of a wide leaf

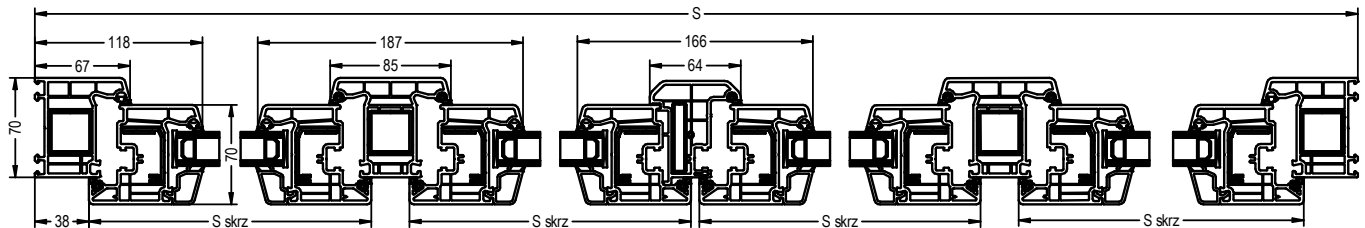


PRIMO 70 patio window – PSK fix in the leaf – Scheme C

As seen from the inside

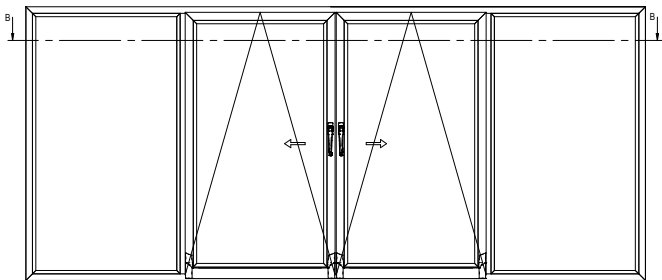


Horizontal cross-section

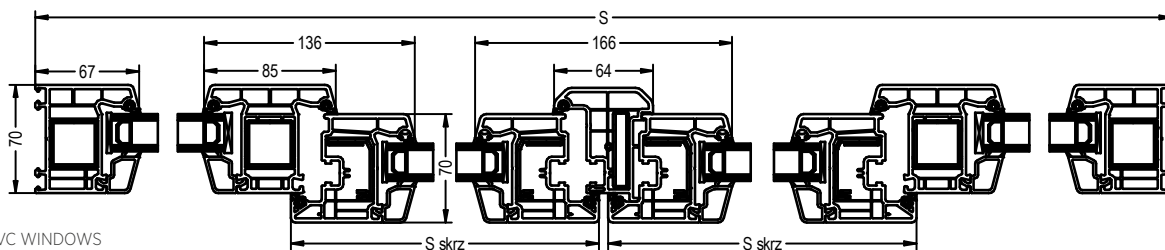


PRIMO 70 patio window – PSK fix in the frame – Scheme C

As seen from the inside



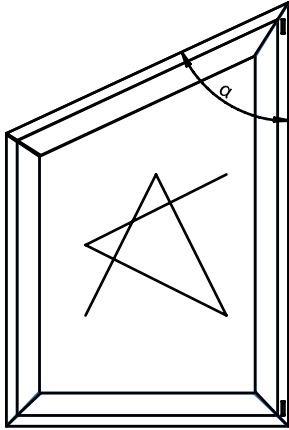
Horizontal cross-section





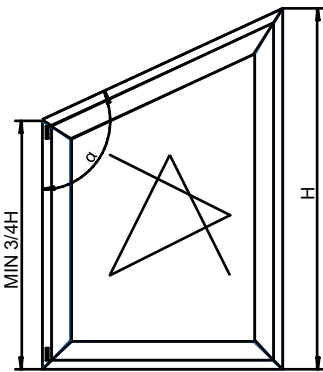
NON-STANDARD SHAPES

For technological reasons, non-standard shaped windows are not manufactured using the V-Perfect technology. Arched windows are not available with the Spectral film coatings.



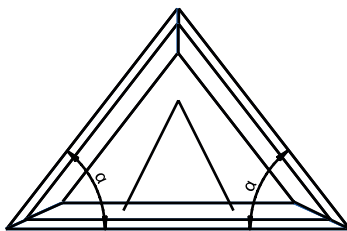
Minimum permissible angle α LEAF R, RU	65°
Minimum permissible angle α , with a groove milled in the frame, LEAF R, RU	55°
Minimum permissible angle α for welding profiles FIXED FRAME	30°
Minimum permissible angle α for welding profiles FIXED LEAF	40°

Minimum length of the welded sections of the frame/leaf for non-standard shape windows: 250 [mm]



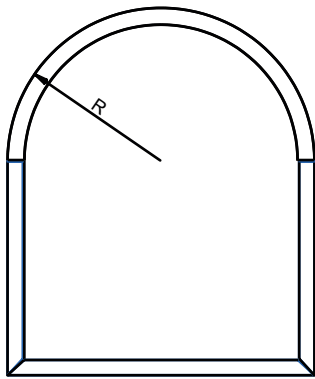
The minimum height of the shorter side is $\frac{3}{4} H$ of the total window height	
Minimum permissible angle α LEAF R, RU	140°

Minimum length of the welded sections of the frame/leaf for non-standard shape windows: 250 [mm]



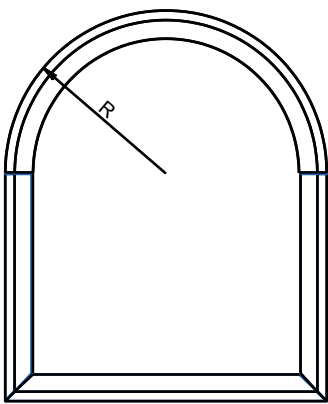
Minimum permissible angle α LEAF U	65°
Minimum permissible angle α , with a groove milled in the frame, LEAF U	55°
Minimum permissible angle α for welding profiles FIXED FRAME	30°
Minimum permissible angle α for welding profiles FIXED LEAF	40°

Minimum length of the welded sections of the frame/leaf for non-standard shape windows: 250 [mm]



	Fixed frame
Minimum R for a semi-full arch	440 [mm]
Maximum R for a semi-full arch	1,400 [mm]

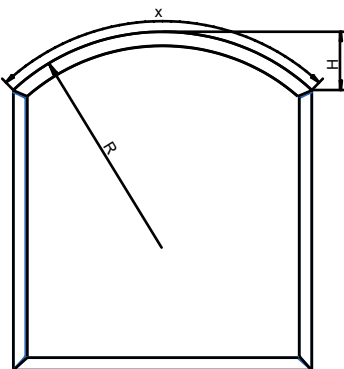
Minimum length of the welded sections of the frame/leaf for non-standard shape windows: 250 [mm]



	FRAME + LEAF 103.232
Minimum R for a semi-full arch	480 [mm]
Maximum R for a semi-full arch	1,400 [mm]

	FRAME + LEAF 103.241
Minimum R for a semi-full arch	610 [mm]
Maximum R for a semi-full arch	1,400 [mm]

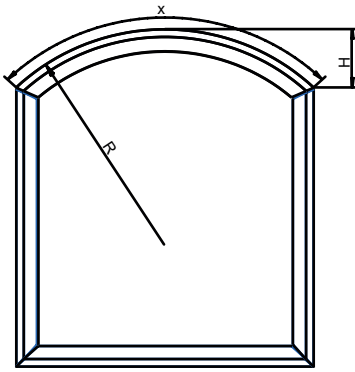
Minimum length of the welded sections of the frame/leaf for non-standard shape windows: 250 [mm]



	Fixed frame
Minimum R for a section arch	440 [mm]
Maximum R for a section arch	2,900 [mm]

Maximum height H for a section arch	1,400 [mm]
Maximum length x for a section arch	3,800 [mm]

Minimum length of the welded sections of the frame/leaf for non-standard shape windows: 250 [mm]

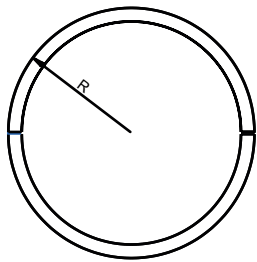


	FRAME + LEAF 103.232
Minimum R for a section arch	480 [mm]
Maximum R for a section arch	2,900 [mm]

	FRAME + LEAF 103.241
Minimum R for a section arch	610 [mm]
Maximum R for a section arch	2,900 [mm]

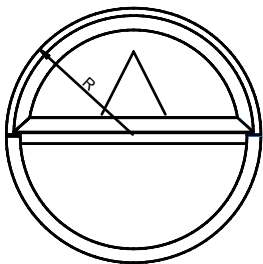
Maximum height H for a section arch	1,400 [mm]
Maximum length x for a section arch	3,800 [mm]

Minimum length of the welded sections of the frame/leaf for non-standard shape windows: 250 [mm]

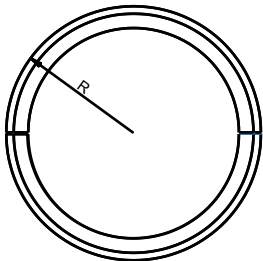


	Fixed frame
Minimum R for an arch	440 [mm]
Maximum R for an arch	1,400 [mm]

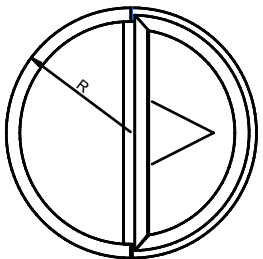
Minimum length of the welded sections of the frame/leaf for non-standard shape windows: 250 [mm]



	FRAME + LEAF 103.232
Minimum R for an arch is	480 [mm]
Maximum R for an arch is	1,400 [mm]



	FRAME + LEAF 103.241
Minimum R for an arch is	610 [mm]
Maximum R for an arch is	1,400 [mm]



Minimum length of the welded sections of the frame/leaf for non-standard shape windows: 250 [mm]



SYSTEM LIMITATIONS

Structural limitations for the PRIMO 70 windows

Maximum leaf dimensions

		Windows/balconies, single- and multi-leaf R, RU with a fixed post		Double-leaf windows/balconies with a moving post		Tilt-only (hopper/awning) windows	
		White	Colour	White	Colour	White	Colour
Maximum surface area of the leaf	STANDARD leaf 103.232	2.25 [m ²]*				2.25 [m ²]	
	WIDE leaf 103.241	2.5 [m ²]				Not available	
Maximum width of the leaf	STANDARD leaf 103.232	1,424 [mm]		1,309 [mm]		2,400 [mm]	
	WIDE leaf 103.241	1,524 [mm]	1,424 [mm]	1,109 [mm]	1,059 [mm]	Not available	
Maximum height of the leaf	STANDARD leaf 103.232	2,424 [mm]		window: 1,924 [mm] balcony: 2,424 [mm]		1,400 [mm]	
	WIDE leaf 103.241	2,424 [mm]				Not available	
Maximum total weight of the leaf with a glass and MultiMatic hardware	STANDARD leaf 103.232	80 [kg]				80 [kg]	
	WIDE leaf 103.241	120 [kg]				Not available	
Leaf width to height ratio		< 1.6				-	

Minimum leaf dimensions

		Leaf R and RU		Leaf U	
		Width	Height	Width	Height
Minimum dimension	STANDARD leaf 103.232	330 [mm]	480 [mm]	340 [mm]	330 [mm]
		480 [mm]	400 [mm]		

Maximum frame dimensions

	White	Colour
Maximum surface area of the window structure in a single frame	8.00 [m ²]	
Maximum width of the structure	4,200 [mm]	4,000 [mm]
Maximum height of the structure	4,200 [mm]	4,000 [mm]
Maximum weight of the glass	300 [kg]	

Minimum frame dimensions

Minimum width of the frame	330 [mm]
Minimum height of the frame	330 [mm]

* The permissible dimensions of the window leaf can be increased with the use of a special glass inseting technology



Maximum PSK dimensions

	PSK scheme A		PSK scheme C Variant		PSK scheme C	
	Division					
	symmetrical	asymmetrical *	symmetrical	asymmetrical *	symmetrical	asymmetrical *
Maximum surface area of the window	8.00 [m ²]		9.6 [m ²]			
Maximum width of the window	3,300 [mm]	4,000 [mm] *	4,000 [mm]			
Maximum height of the window	2,476 [mm]					
Maximum width of the leaf	STANDARD leaf 103.232	1,540 [mm]				
	WIDE leaf 103.241	1,760 [mm]			1,210 [mm]	
Maximum height of the leaf	2,400 [mm]					
Maximum surface area of the leaf	STANDARD leaf 103.232	2.5 [m ²]			2.25 [m ²]	
	WIDE leaf 103.241	3.8 [m ²]			2.5 [m ²]	
Leaf height to width ratio	< 2.5					

* made on request

Minimum PSK dimensions

	MANUAL PSK-S	PAS	AUTOMATED PSK-Z
Minimum width of the leaf	660 [mm]	790 [mm]	760 [mm]
Minimum height of the leaf	1,040 [mm]	881 [mm]	940 [mm]

HARDWARE TYPES AND RANGES OF APPLICATION

Hardware type	Leaf weight	Leaf surface
Maco Multi-Matic STANDARD frame and leaf hinge	≤ 100 kg	2.4 [m ²]
Maco Multi-Matic with a low threshold frame and leaf hinge with roller cams	≤ 110 kg	3.0 [m ²]
Maco Multi-Matic frame and leaf hinge with roller cams	≤ 120 kg	3.0 [m ²]
Maco Multi-Power	≤ 150 kg	3.0 [m ²]
Maco Multi-Power with a low threshold	≤ 110 kg	3.0 [m ²]
Maco Multi-Mammut	≤ 180 kg	3.6 [m ²]



Minimum and maximum window dimensions by burglary protection class, and maximum weight.

Window type	Min. width of the leaf	Max. width of the leaf	Min. height of the leaf	Max. height of the leaf	Weight
RU SECURITY 1	520	1,690	470	2,640	100 kg
U SECURITY 1	510	2,290	390	1,140	80 kg
Moving post SECURITY 1	520	1,340	701	2,640	100 kg
RU RC2,	520	1,690	470	2,640	100 kg
U RC2	510	2,290	390	1,140	80 kg
Moving post RC2	520	1,340	701	2,640	100 kg

SECURITY WINDOW PROTECTION STANDARD, PSK

Type of window/patio door	WINDOWS	WINDOWS	PSK	WINDOWS
Protection type	SECURITY 1	SECURITY 2		Anti-burglary class RC2 in accordance with PN-EN 1627
ACCESSORIES				
Type and number of strikers	- Minimum 4 anti-burglary strikers - Number of strikers depends on the leaf dimensions	- All anti-burglary strikers - Number of strikers depends on the leaf dimensions	- All anti-burglary strikers - Number of strikers depends on the leaf dimensions	- All anti-burglary strikers - Number of strikers depends on the leaf dimensions
Anti-drill guard plate	Yes	Yes	Yes	Yes
Handle	Any	Any	Any	With a key 100 Nm
Installation	Anchors or dowels	Anchors or dowels	Anchors or dowels	dowels
Glass units	Any	Any	Any	At least one pane with the P4A resistance class in accordance with EN 356 in the glass unit
Glass mounting	Not required	Not required	Not required	Required along the circumference of the leaf



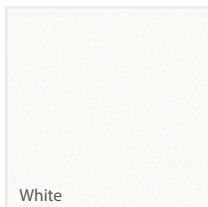


COLOURS

Available colours for PVC windows:

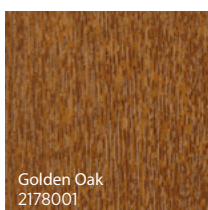
white, single-side film coating, double-side film coating.

Standard colours

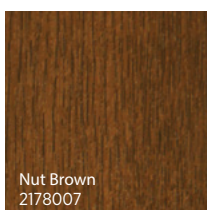


White

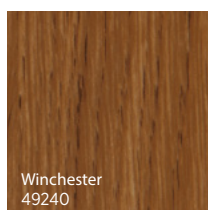
Film coatings – standard colours



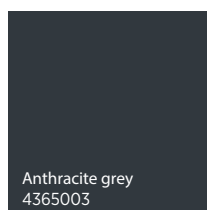
Golden Oak
2178001



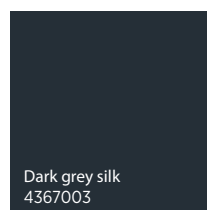
Nut Brown
2178007



Winchester
49240

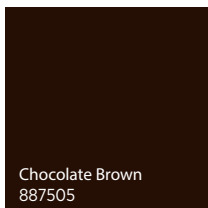


Anthracite grey
4365003

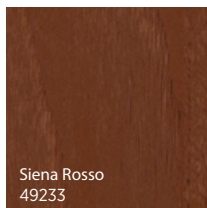


Dark grey silk
4367003

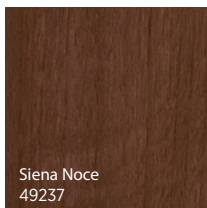
Film coatings – special colours



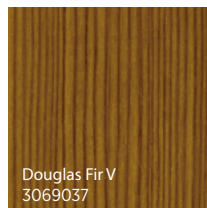
Chocolate Brown
887505



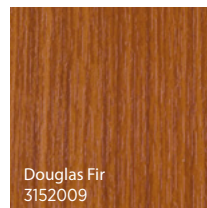
Siena Rosso
49233



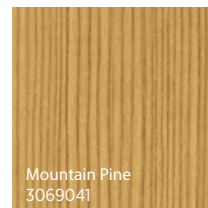
Siena Noce
49237



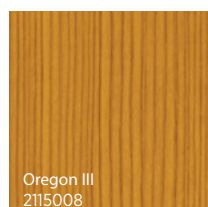
Douglas Fir V
3069037



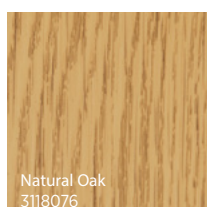
Douglas Fir
3152009



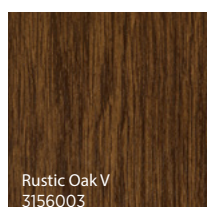
Mountain Pine
3069041



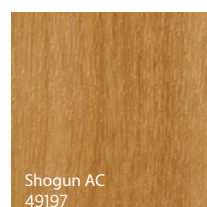
Oregon III
2115008



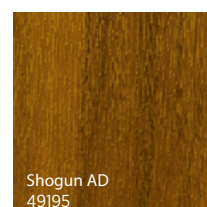
Natural Oak
3118076



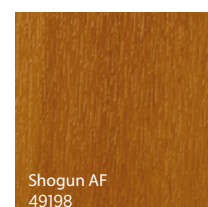
Rustic Oak V
3156003



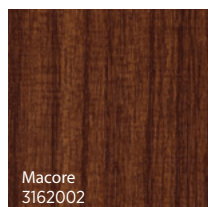
Shogun AC
49197



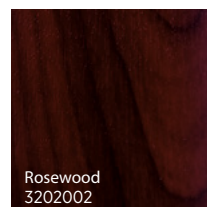
Shogun AD
49195



Shogun AF
49198



Macore
3162002



Rosewood
3202002



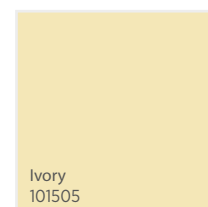
White
915205



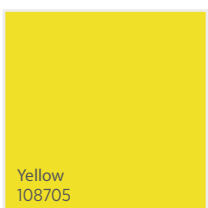
Papyrus White
901805



Cream White
137905



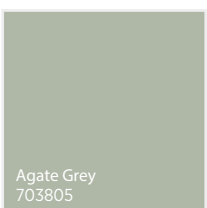
Ivory
101505



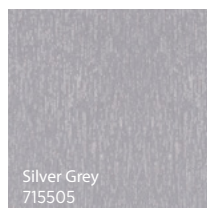
Yellow
108705



Light Grey
725105



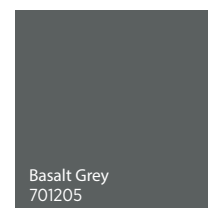
Agate Grey
703805



Silver Grey
715505



Smooth Silver Grey
715505083



Basalt Grey
701205



Smooth Basalt Grey 701205083	Slate Grey 701505	Smooth Slate Grey 701505083	Quartz Grey 703905	Brilliant Blue 500705	Cobalt Blue 501305
Steel Blue 515005	Monument Blue 500405	Emerald Green 611005	Green 600505	Dark Green 612505	Monument Green 992505
Carmine Red 305405	Ruby Red 300305	Dark Red 308105	Wine Red 300505	Brown Black 851805	Metbrush Aluminium 4361001
Metbrush Silver 4361002	Crown Platinum 1293001	Quartz Platinum 1293002	Earl Platinum 1293010	Sheffield Oak Light 4563081	Anthracite Quartz F4361014
Black Ulti-Mat 47097	AnTeak 3241002-195	Swamp Oak 3167004-167	Summer Cherry 3214009-195	Siena PL 49254	Sheffield Oak Grey F436-3086
Oregon 1192001-167	Rustic Oak 3149008-167	Black Cherry 3202001-167	Sapeli (Mahogany) 2065021	Dark Oak 2052089	woodec Woodec Turner Oak Malt F4703001
woodec Woodec Sheffield Oak Alpine F4703002	woodec Woodec Sheffield Oak Concrete F4703003	woodec Woodec Turner Oak Toffee CC F4703004	Alux Aluminium Grey 4361016	Anthracite Grey Mat F4706003	Anthracite Quartz Mat F4701014
Jet Black 4467062	Smooth Quartz Grey 703905083	Brushed Brass F4361007			



Accessory selection

No.	Film number	Name	Standard core	Gasket colour	Handle and cover colour	Balcony pull colour	HS leaf core colour
1	2178001	GOLDEN OAK	caramel	caramel	F4	gold	caramel
2	2178007	NUT BROWN	brown	black	F4	ral 8019	brown
3	2052089	SWAMP OAK	brown	black	F4	ral 8019	brown
4	49240	WINCHESTER XA	caramel	caramel	F4	gold	caramel
5	2065021	MAHOGANY	brown	black	F4	ral 8019	brown
6	701605	DARK GREY	brown	black	F1	ral 7016	brown
7	887505	BROWN	brown	black	F4	ral 8019	brown
8	715505	SILVER GREY	white	black	F1	silver	white
9	49237	SIENA PN NOCE	brown	black	F4	ral 8019	brown
10	49233	SIENA PR ROSSO	caramel	caramel	F4	ral 8019	caramel
11	3162002	MACORE	brown	black	F4	ral 8019	brown
12	137905	CREAM WHITE	white	black	RAL 9001	ral 9001	white
13	915205	WHITE	white	black	RAL9016	ral 9016	white
14	612505	DARK GREEN	white	black	F1	silver	white
15	701205	BASALT GREY	white	black	F1	silver	white
16	703905	QUARTZ GREY	white	black	F1	silver	white
17	3118076	Natural Oak	white	black	F4	gold	white
18	851805	BROWN BLACK	brown	black	F4	ral 9005	brown
19	715505083	SMOOTH SILVER GREY	white	black	F1	silver	white
20	3152009	DOUGLAS FIR SHADED	caramel	caramel	F4	gold	caramel
21	600505	GREEN	white	black	F1	silver	white
22	3156003	RUSTIC OAK V	brown	black	F4	ral 8019	brown
23	3149008	RUSTIC OAK	brown	black	F4	ral 8019	brown
24	3069041	MOUNTAIN PINE	caramel	caramel	F4	gold	caramel
25	703805	AGATE GREY	white	black	F1	silver	white
26	4367003	DARK GREY SILK	brown	black	F1	ral 7016	brown
27	4563081	LIGHT SHEFFIELD OAK	white	black	F1	ral 9001	white
28	2115008	OREGON III	white	black	F4	gold	white
29	1192001	OREGON	white	black	F4	gold	white
30	4361001	BRUSHED ALUMINIUM	white	black	F1	silver	white
31	300305	RUBY RED	white	black	F1	silver	white
32	300505	WINE RED	white	black	F1	silver	white
33	515005	STEEL BLUE	white	black	F1	silver	white
34	501305	COBALT BLUE	white	black	F1	silver	white
35	725105	LIGHT GREY	white	black	F1	silver	white
36	308105	DARK RED	white	black	F1	silver	white
37	500705	BRILLIANT BLUE	white	black	F1	silver	white
38	611005	EMERALD GREEN	white	black	F1	silver	white
39	901805	PAPYRUS WHITE	white	black	F1	silver	white
40	3069037	DOUGLAS FIR	caramel	caramel	F4	gold	caramel
41	108705	YELLOW	white	black	F1	silver	white
42	305405	CARMINE RED	white	black	F1	silver	white
43	1293002	QUARTZ PLATINUM	white	black	F1	silver	white
44	1293001	CROWN PLATINUM	brown	black	F1	ral 7016	brown
45	701205083	SMOOTH BASALT GREY	white	black	F1	silver	white
46	1293010	EARL PLATINUM	brown	black	F1	ral 7016	brown



47	701505083	SMOOTH SLATE GREY	brown	black	F1	ral 7016	brown
48	4361002	SILVER BRUSHED ALUMINIUM	white	black	F1	silver	white
49	701505	SLATE GREY	brown	black	F1	ral 7016	brown
50	3202002	ROSEWOOD	brown	black	F4	ral 8019	brown
51	101505	IVORY	white	black	F1	silver	white
52	49198	SHOGUN AF	caramel	caramel	F4	gold	caramel
53	49195	SHOGUN AD	caramel	caramel	F4	gold	caramel
54	49197	SHOGUN AC	caramel	caramel	F4	gold	caramel
55	992505	MONUMENT GREEN	white	black	F1	ral 9005	white
56	500405	MONUMENT BLUE	white	black	F1	ral 9005	white
57	436-1014	quartz anthracite	brown	black	F1	anthracite	brown
58	PX47097	Black Ulti-Mat	brown	black	F1	ral 9005	brown
59	3241002-195	AnTEAK	brown	black	F1	ral 9001	brown
60	3167004-167	swamp oak	brown	black	F4	ral 8019	brown
61	3214009-195	summer cherry	brown	black	F4	ral 8019	brown
62	49254-015	siena PL	caramel	caramel	F4	gold	caramel
63	F 436-3086	sheffield oak grey	brown	black	F1	ral 9001	brown
64	3202001	Koltex Black Cherry	brown	black	F4	ral 8019	brown
65	F 470-3001	Woodec Turner Oak Malt	caramel	caramel	F4	caramel	caramel
66	F 470-3002	Woodec Sheffield Oak Alpine	white	black	F1	silver	white
67	F 470-3003	Woodec Sheffield Oak Concrete	white	black	F1	silver	white
68	F 470-3004	Woodec Turner Oak Toffee	brown	black	F4	RAL8019	brown
74	4361016	Alux Aluminium Grey	white	black	F1	silver	white
75	4361007	Brushed Brass	white	black	F4	gold	white
76	4467062	Jet Black	brown	black	F1	ral 9005	brown
77	703905083	Smooth Quartz Grey	white	black	F1	silver	white
78	F470-6003	Anthracite Grey Mat	brown	black	F1	ral 7016	brown
79	F470-1014	Anthracite Quartz Mat	brown	black	F1	ral 7016	brown

OPTIONAL ACCESSORIES

Concealed MULTI POWER hinges

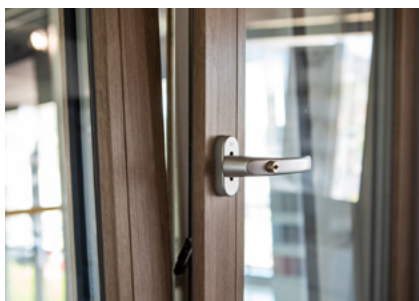


Completely hidden hardware. The concealed hinge option is available both with a low threshold and with the RC2 class anti-burglary windows.

Benefits for the customer:

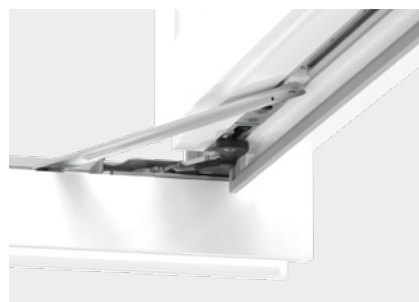
- additional hinge cover caps
- large opening width (up to 100°);
- integrated protection against lifting the leaf;
- minimal maintenance thanks to enhanced guides in the scissor stay;
- appealing look;
- dedicated for RU windows with the maximum leaf weight of 150 kg.

TILT-FIRST – tilting before turning



This solution is aimed at locking the leaf in the tilted position after rotating the handle by 90 degrees to the horizontal position, which prevents the leaf from moving from the tilted to the open position. Only after the handle is unlocked with a key can the window be opened. This solution provides safety for children and at the same time makes it possible to ventilate the room with the window tilted.

Opening restriction



Prevents excessive opening of the leaf and thereby prevents the leaf from hitting the reveal. Opening restriction can be used both with surface and concealed MultiPower hinges. Cannot be used with a window version with the RC or SECURITY enhanced burglary resistance class.

Turn restrictor controlled with a handle



Prevents self-acting opening and closing movement of the leaf. The turn restrictor can be used both in the R and RU version, as well as with concealed and surface hinges.

This turn restrictor version cannot be used:

- with a low threshold,
- with RC and SECURITY classes,
- with the UR option (tilt before turn).

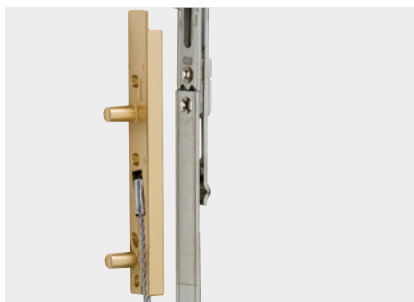


Brake stay



Fixes the opening angle of the leaf in the desired position. The brake stay can only be used in the R window version, but it cannot be used with a low threshold and with the RC and SECURITY enhanced burglary resistance class window versions.

SAFETY PIN



Safety Pin secures each turn-only (side-hung) and turn and tilt window against leaf unHINGING from the frame caused by mishandling. Located on the hinge side, the security device is integrated with the central turn and tilt locking system. The spring-loaded steel wire prevents the window leaf from falling out of the frame and effectively prevents potential accidents.

The device is recommended for windows in residential buildings, as well as in children's rooms and nursing homes; these devices should be considered standard accessories in public buildings.

Comfort scissor stay



Problem-free operation of the window, primarily when windows are difficult to access, thanks to the handle in the bottom part of the window leaf.

The comfort scissor stay can only be used in the RU window version, it cannot be used with concealed hinges.

Benefits for the customer:

- The window tilts and closes automatically with the use of a handle.
- Meets the requirements of elderly and disabled persons.
- Enables operation of windows which are difficult to access.
- Optional electric assistance.

Contact



Surface-mounted, wired



Somfy, surface-mounted, wireless



Flush-mounted, wired

Windows can optionally be fitted with an electronic closure monitoring system. Window contacts are connected to the monitoring system which triggers an alarm when the handle is rotated or the hardware is moved in any other way. The sensors operate regardless of whether the leaf was opened to the tilted or turned position. Available in a wired version: surface-mounted, flush-mounted, and wireless Somfy.

Hardware with the SECURITY 1 and RC2 burglary protection class



Windows with the Security 1, Security 2, and RC2 class are available with single-section and multi section models:

- turn and tilt (RU)
- tilt-only (hopper/awning) (U)
- with a moving post (RS)
- with a FIX in the frame (FIX-R)
- with a FIX in the leaf (FIX-S)

The Security / RC2 options are not available with side hung windows (R).

With the RC2 burglar resistance class, there are several anchor fitting options available in the following scenarios:

- single-section model FIX-R / FIX-S,
- multi-section model, where at least one section is a FIX-R / FIX-S.

With the RC2 burglar resistance class, there are several anchor/dowel fitting options available in the following scenarios:

- single-section model: turn and tilt (RU), tilt-only (U),
- model with a moving post (RS),
- multi-section model, where all the sections can be opened (RU, U, RS).

Optional accessories, which can be ordered with the SECURITY 1 and SECURITY 2, as well as RC2 burglar resistance class windows:

- balcony catch,
- surface hinges (MultiMatic, MultiMammut), concealed hinges (MultiPower),
- wired and wireless window contact,
- SafetyPin.

Other optional accessories are not available with the SECURITY 1, SECURITY 2, as well as RC2 burglar resistance class windows. The PSK tilt and slide patio door with the Security 2 class is available in the standard PSK-S version and the PSK-PAS stop-slide version in scheme A

Balcony door catch with a pull



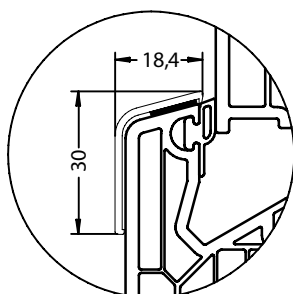
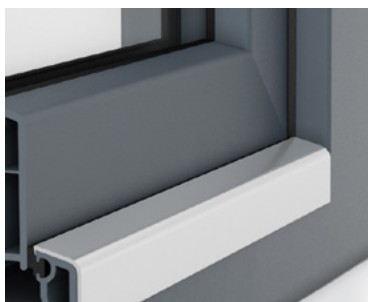
Balcony door catch with a pull



Balcony door catch with a pull for a roller shutter

Balcony door catch with an aluminium pull increases the functionality of balcony doors, making it possible to close them from the outside. A pull for windows with external roller shutters is available as an optional accessory.

Aluminium balcony threshold cover



The aluminium threshold cover serves a protective function and prevents damage and scuffing of the lower part of the frame, it is especially recommended for balcony or patio exits.

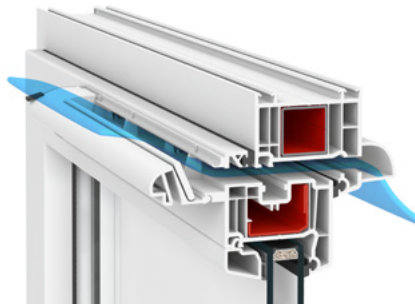


MultiMammut hinges



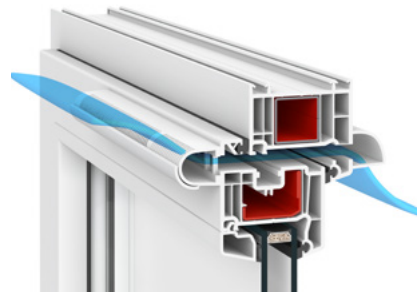
Hinges for leaves with a weight up to 180 kg for large size window models up to 3.6 m².

Air inlets



Aereco EMM humidity sensitive air inlet

Available colours: RAL 9003, RAL 8017, RAL 8001, RAL 7045, RAL 7016



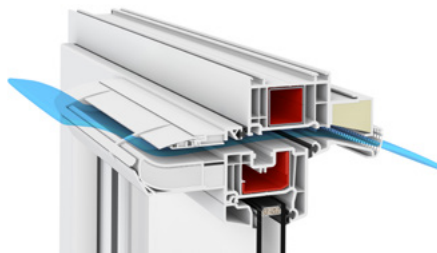
Aereco AMO pressure sensitive air inlet

Available colours: RAL 9003, RAL 8017, RAL 8001, RAL 7016



REGEL air window rebate valve

Available colours: RAL 9003 black and grey gasket, RAL 9005 black gasket



Aereco EXR 409 humidity sensitive air inlet

Available colours: RAL 9003, RAL 8017, RAL 8001, RAL 7045, RAL 7016



Parameter	[Pa]	Regel-air
Air flow at:	2	3.0 m ³ /h
	4	3.7 m ³ /h
	8	5.0 m ³ /h
	10	5.6 m ³ /h
	20	4.2 m ³ /h

Parameter	Unit	AMO.103 kit AMO pressure sensitive air inlet Standard AB canopy	EMM.707 kit EMM humidity sensitive air inlet Standard AB canopy	EXR.409 kit EXR humidity sensitive air inlet AQ acoustic canopy			
		Value					
Air flow	[m ³ /h]	Rated	24.5	Rated	23.5	Rated	26.2
		Minimum	5.9	Minimum	6.9	Minimum	7
Resistance to rainwater infiltration after installation in a window in a zone without rain cover	[Pa]	300		300		300	
Acoustic attenuation D _n (C; C _{tr})	[dB]	Air inlet open	32 (-1; 1)	Air inlet open	32 (-1; 0)	Air inlet open	40 (0; 0)
		Air inlet closed	33 (0; 0)	Air inlet closed	34 (0; 0)	Air inlet closed	41 (-1; -1)

Glass panes

When using glass 4 [mm] thick – the maximum side length can be 2,440 [mm] (maximum side ratio 1:8), maximum surface area up to 3.35 [m²].

The above standard dimensional limitations apply only to clear glazing units installed vertically in locations where increased wind loads do not occur.

The limitations do not take into account the effect of coatings reflecting heat on the increase of the temperature inside the glass units and the effect of the changes in atmospheric pressure resulting from fitting in mountainous areas.

The permissible glass sizes do not take into account the customer's detailed requirements regarding safety, wind load, etc.

When using varying thickness of glass in the glazing unit, the maximum surface is determined for the thinner glass.



Warm edge

Available in the following colours for the PVC range:

Light Grey 7035, Grey 7040, Black 9005, Light Brown 8003, Brown 8016, White 9016

Glazing bars

If inner glazing bars are used, silicone plugs are not provided at the glazing bar intersection. The following bars are available for the PVC window range:

- Stuck-on glazing bars
- INNER glazing bars (colour on both sides)
- INNER glazing bars (colour on one side)
- DUPLEX glazing bars

The “glazing bar ringing” effect can occur, which is caused by normal vibrations of the aluminium glazing bar rod during opening and closing, or even by wind gusts outside.

Glazing bar types and colours

Glazing bar type		Colours	Restrictions
Stuck-on		Glazing bars available in all colours within the standard and special colour range	* Not available with the Primo 70 system use of glazing bar 55 [mm] possible for glass unit thickness 38 [mm] and up

For a 25 [mm] muntin, use a duplex with a height of 20 [mm].

For a 55 [mm] muntin, use a duplex with a height of 48 [mm] (two 24 [mm] duplexes combined).

Duplexes available for frame thicknesses of:

- 14mm (duplex thickness 9.5 [mm])
- 16mm (duplex thickness 11.5 [mm])
- 18mm (duplex thickness 13.5 [mm])

Duplex colours:

- Silver
- Light grey 7035
- Grey 7040
- Black 9005
- Light brown 8003
- Brown 8016
- White 9016

Due to colour matching, duplex not available with premium warm frame (Multitech G).



INNER (colour on both sides)	Inner glazing bar 8 [mm]	White 9010	The maximum length of an inner glazing bar without support = 700 [mm]	
	Inner glazing bar 18 [mm] and 26 [mm]	Golden		White 9010
		White 9010		Golden
Golden		Nut Brown		
Nut Brown		Dark Oak		
Dark Oak		Golden Oak		
Golden Oak		Mahogany		
Inner glazing bar 45 [mm]	Other colours available in the profile range	White 9010		
	White 9010	Golden Oak		
INNER (colour on one side)	Inner glazing bar 18 [mm] and 26 [mm]	White / Walnut		The maximum length of an inner glazing bar without support = 700 [mm]
		White / Dark Oak		
		White / Golden Oak		
		White / Mahogany		
		White / 8014		
		White / 8017		
		White / 8022		
		Other colours available in the profile range		
		Other colours available in the profile range		
DUPLEX	DUPLEX glazing bar 18 [mm]	RAL 9004	The maximum length of an inner glazing bar without support = 700 [mm]	
		RAL 9016		
		RAL 7040		
	DUPLEX glazing bar 24 [mm]	RAL 7035		The maximum length of an inner glazing bar without support = 700 [mm]
		RAL 9004		
		RAL 9016		
	DUPLEX glazing bar 30 [mm]	RAL 7040		The maximum length of an inner glazing bar without support = 700 [mm]
		RAL 7035		
		RAL 9004		
DUPLEX glazing bar 30 [mm]	RAL 9004	The maximum length of an inner glazing bar without support = 700 [mm]		
	RAL 9016			
	RAL 7040			
DUPLEX glazing bar 30 [mm]	RAL 7040	The maximum length of an inner glazing bar without support = 700 [mm]		
	RAL 9016			
	RAL 7035			



Window handles

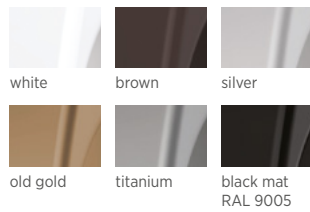
PVC windows are fitted with BASIC handles as standard.

BASIC



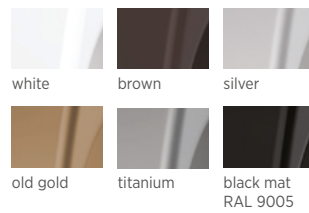
BASIC

available colours:



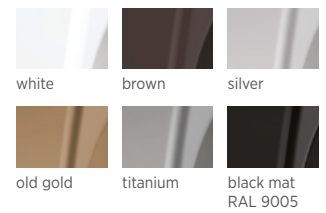
BASIC K
with a key lock

available colours:



BASIC P
with a locking button

available colours:



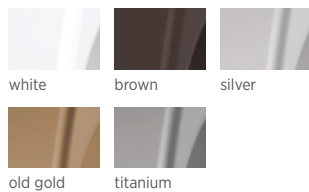
Optionally, PVC windows can be fitted with the following handles:

ROUND



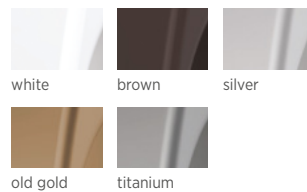
ROUND

available colours:



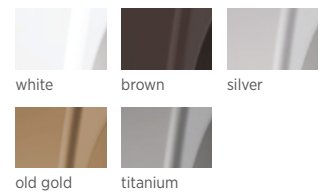
ROUND K
with a key lock

available colours:



ROUND P
with a locking button

available colours:

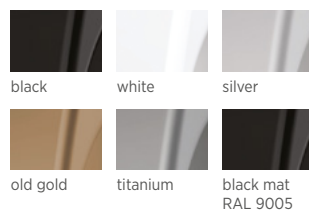


CUBE



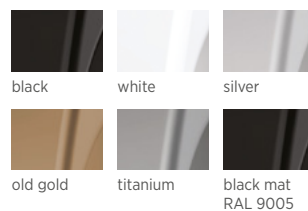
CUBE

available colours:



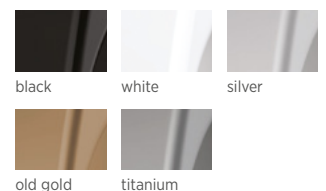
CUBE K
with a key lock

available colours:



CUBE P
with a locking button

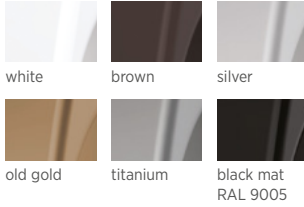
available colours:





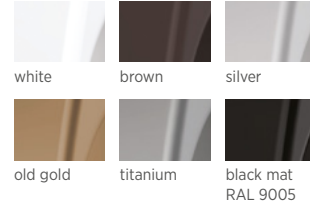
BASIC double-sided balcony

available colours:



BASIC double-sided flat for roller shutter

available colours:

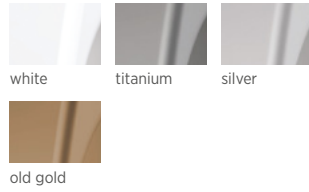


Hoppe



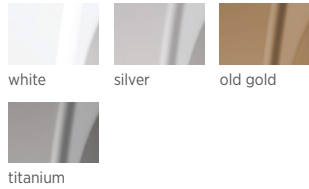
Hoppe Hamburg SecuForte

available colours:



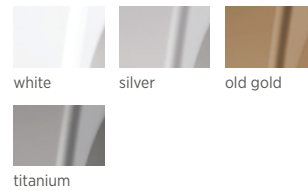
Atlanta

available colours:



Atlanta with a key lock

available colours:



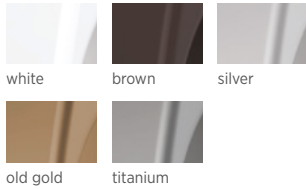


Handles for the PSK patio door



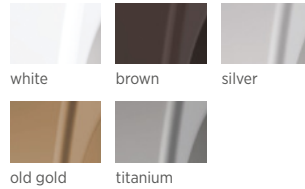
PSK-Z

available colours:



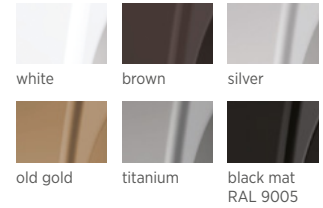
PSK-Z with a key lock

available colours:



PSK-S and PSK-PAS

available colours:

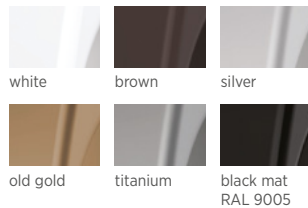


Old gold* - colour with a darker hue than other handle models



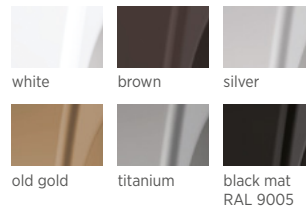
PSK-S and PSK-PAS handle with a key lock

available colours:



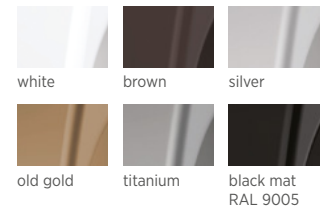
PSK-S and PSK Pas double-sided handle

available colours:



PSK-S and PSK Pas double-sided handle for roller shutter

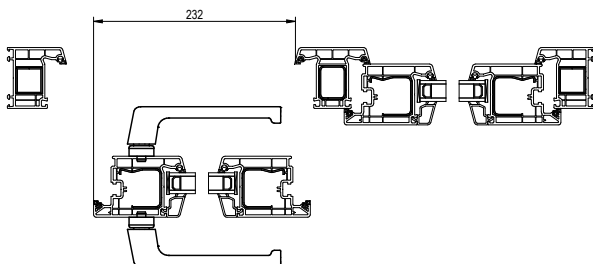
available colours:



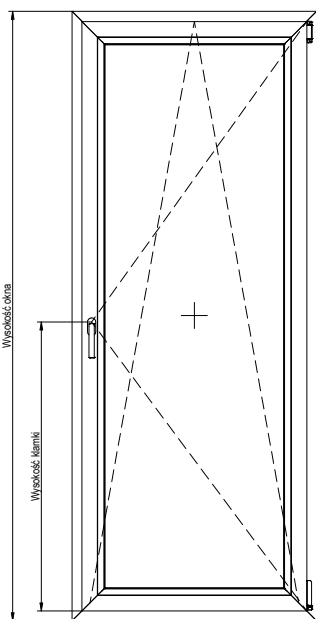
Clear passage

Clear opening with a double-sided handle - PSK

In the case of a double-sided handle in the PSK with fixed glazing in the frame, we use a double-sided handle for the roller shutter and the leaf is moved fully behind the fixed glazing. However, in the case of the PSK with fixed glazing in the leaf, we use a "standard" handle and at the same time, the leaf bumper is positioned so that it decreases the clear opening passage by 232 mm.



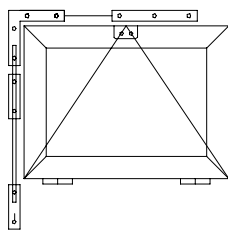
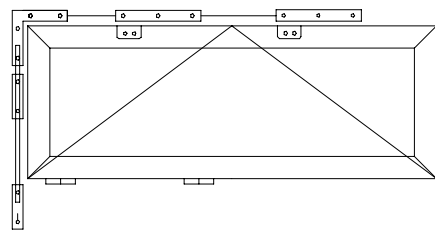
Handle heights



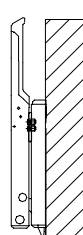
Handle height [mm]	Range of application/ height in the hardware groove		Range of application/ leaf height in the window	
	MIN. [mm]	MAX. [mm]	MIN. [mm]	MAX. [mm]
145	360	430	400	470
210	431	660	471	700
320	661	840	701	880
420	841	1,090	881	1,130
520	1,091	1,340	1,131	1,380
620	1,341	1,590	1,381	1,630
720	1,591	1,700	1,631	1,740
1,070	1,701	1,950	1,741	1,990
1,070	1,951	2,200	1,991	2,240
1,070	2,201	2,450	2,241	2,490

GEZE OL90 toplight opener

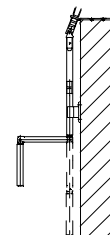
Tilt-only (hopper/awning) windows



Methods of window opening with the GEZE OL90 hardware

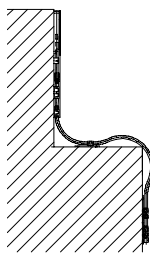


Lever

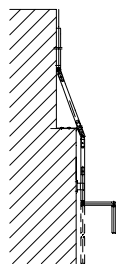


Crank

Method of drive transmission with the GEZE OL90



Flexible transmission



Articulated joint transmission

With the use of:

- manual lever,
- electric drive,
- Fz91 gear unit installed under the elastic cable.

With the use of:

- crank mechanism.



Product features

- Full opening width = 170 mm for all leaf heights,
- Adjustable opening width,
- Total leaf weight up to 80 kg,
- Min. height of the leaf 250 mm,
- Max. width of the leaf 380 mm,
- Max. width of the leaf 3,600 mm with three scissor stays,
- Little space requirement due to flat scissor stay structure,
- Release inhibitor, lockable manual lever, and scissor stays ensure added security,
- Scissor stays can be disengaged with a release button for easy window cleaning inside and outside,
- Fully pre-installed mounting groups for easier fitting,

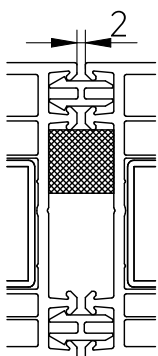
Areas of application

- Convenient everyday ventilation of rooms and staircases,
- Inswing windows,
- Can be used in non-standard structures, i.e. arched, triangular, round, and segment windows,
- Connecting and operating several windows with an angular drive transmission,
- Automation with an E 212 electric linear drive.

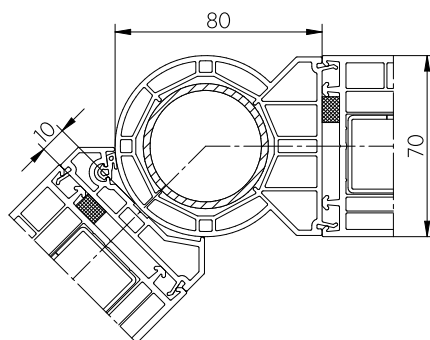
Tape selection

System	Profile type	Gap size	Selected expansion tape	Type of screw used for connection
PL 70	116.201	6.7	*Pinta 15/4-20	-
	116.210+116.210	14.5	*Pinta 15/4-20	-
	116.206	6.7	*Pinta 10/4-20	-
	116.210+116.211	14.5	*Pinta 15/4-20	-
	116.217	15.4	*Pinta 15/4-20	-
	116.218	6.8	*Pinta 10/4-20	-
	116.213+116.210	14.5	*Pinta 15/4-20	-
	116.213+116.211	14.5	*Pinta 15/4-20	-
	116.210+116.212	14.5	*Pinta 15/4-20	-
	116.211+116.212	14.5	*Pinta 15/4-20	-
	109.091	6.7	*Pinta 10/4-20	WKRT48x120-ZW-WL
	109.445	6.7	*Pinta 10/4-20	WKRT48x60-ZW
	109.569	6.7	*Pinta 10/4-20	WKRT60x160-PDTX-GCZ
	114.200	7.7	*Pinta 10/4-20	WKRT39x25-ZW-B-BR
	114.201	8.7	*Pinta 10/4-20	WKRT40x50-BW-B-ZR
	114.202	8.7	*Pinta 10/4-20	WKRT48x60-BW
	114.203	8.7	*Pinta 10/4-20	WKRT48x120-ZW-WL
	114.205	8.7	*Pinta 10/4-20	WKRT60x280-PDTX-GCZ
	116.030	15.4	*Pinta 15/4-20	

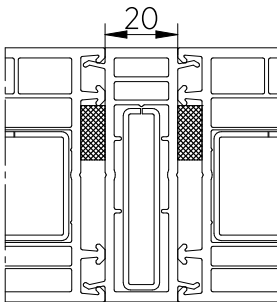
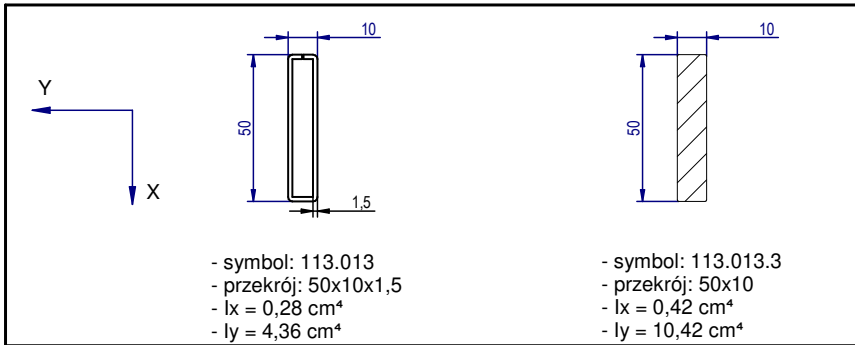
Connectors



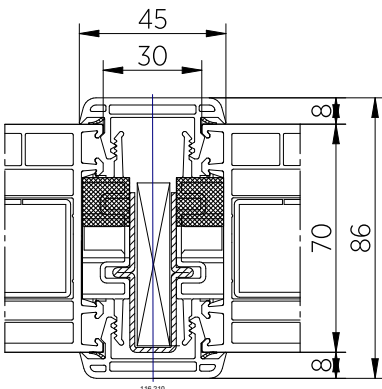
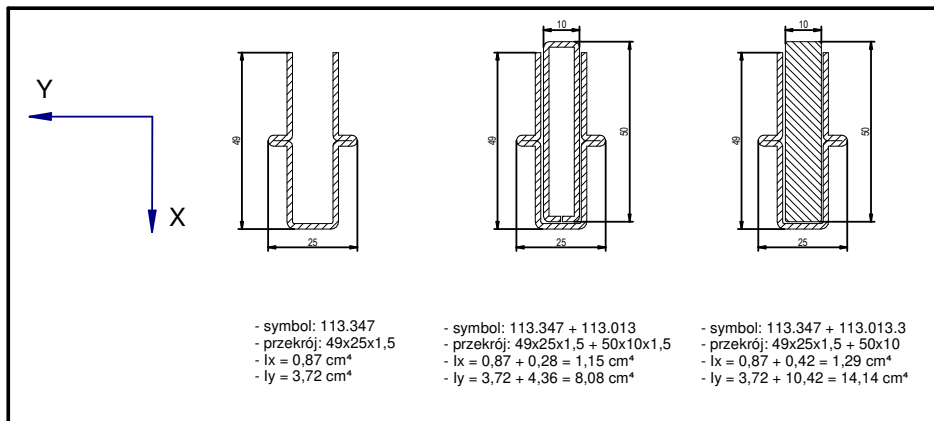
Mini connector 116.030



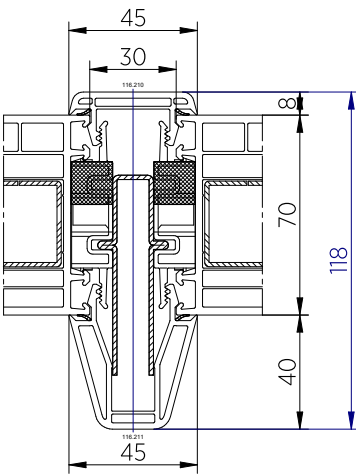
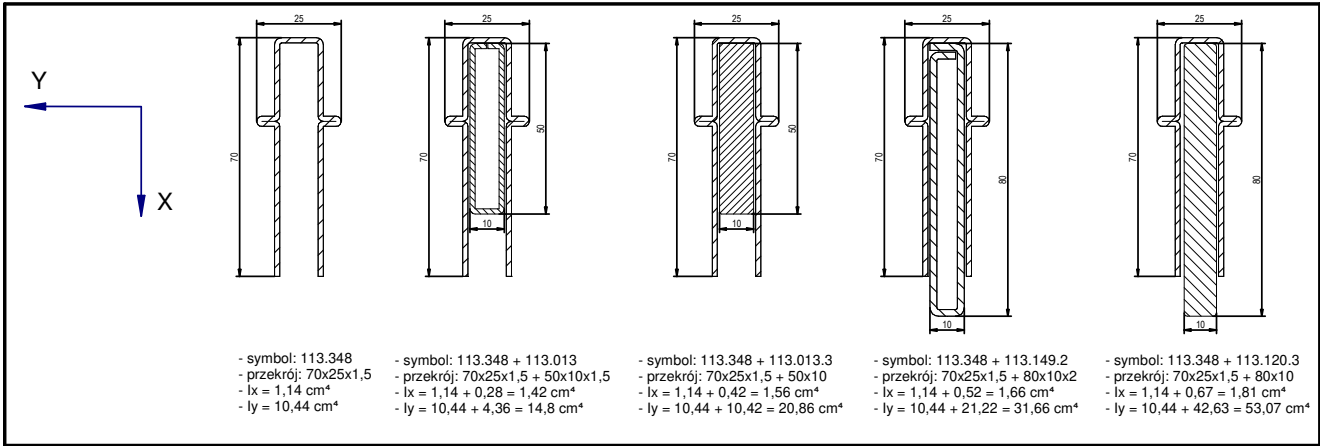
Pipe connector 116.206



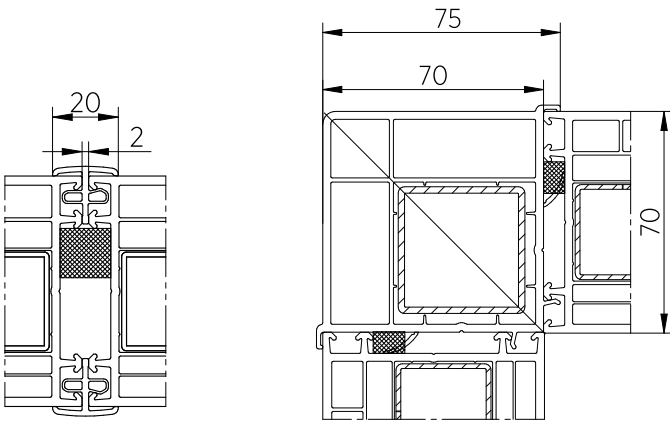
Connector 116.201



Connector 116.210

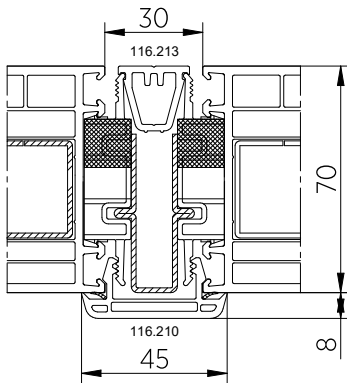
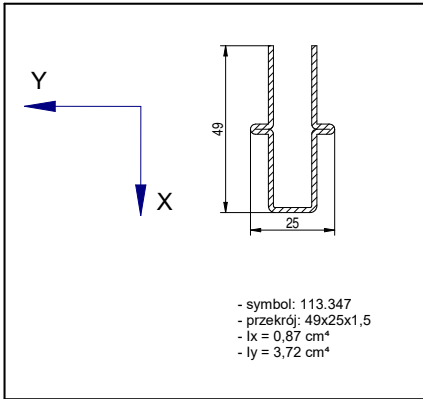


Connector 116.210+116.211

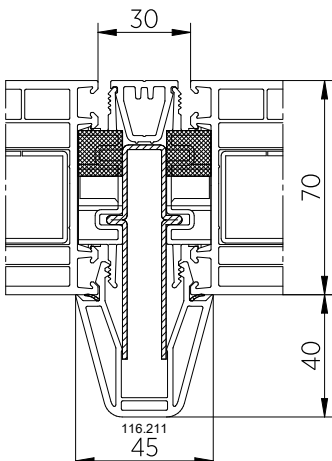
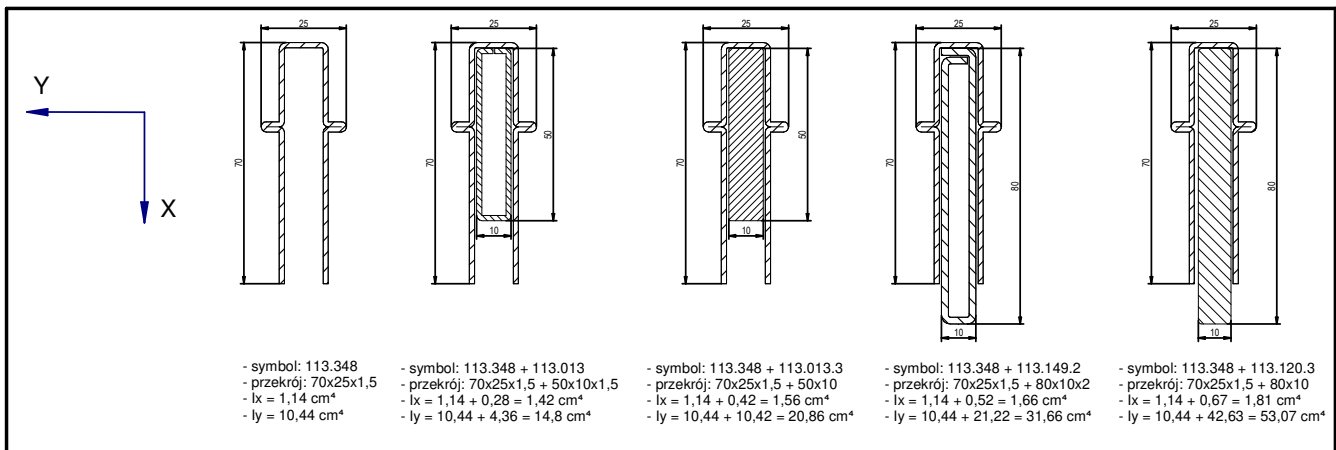


Mini connector 116.217

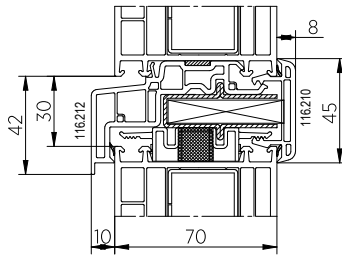
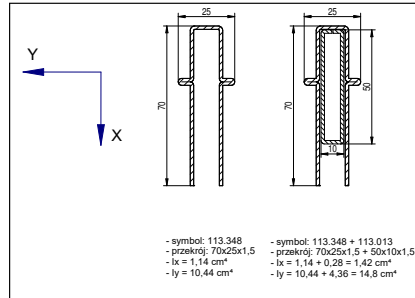
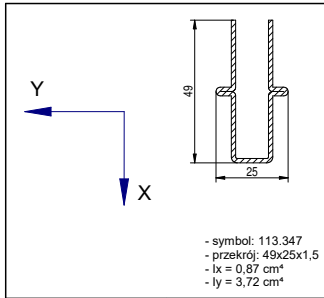
90 degree angle coupling profile 116.218



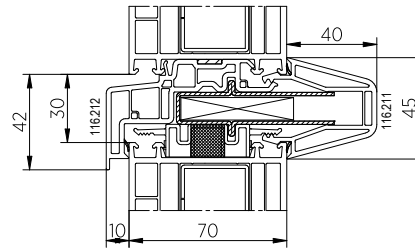
Connector 116.213+116.210



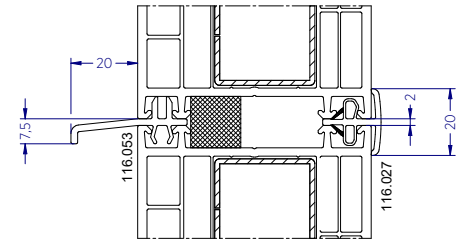
Connector 116.213+116.211



Connector 116.210+116.212

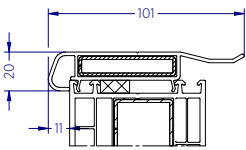


Connector 116.211+116.212

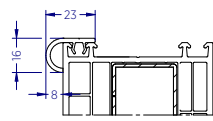


Connector 116.027

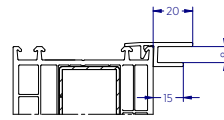
Roller shutter box traverses



Traverse 108.032

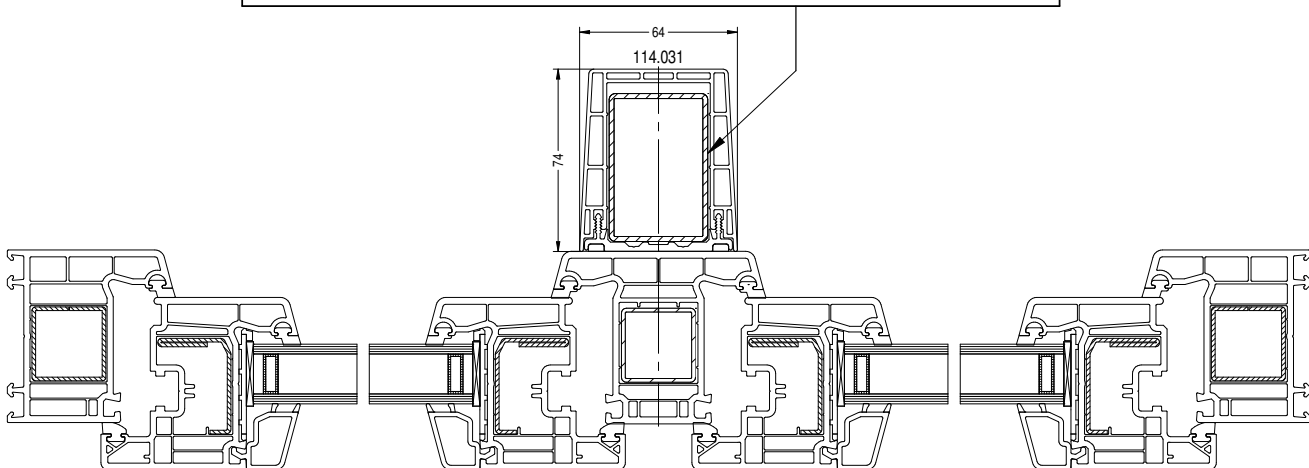
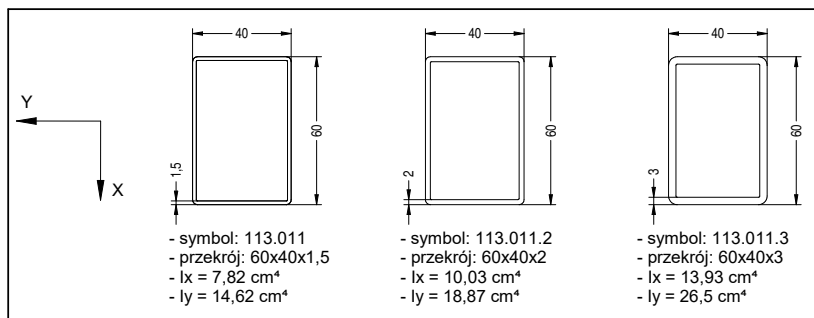


Traverse 108.100

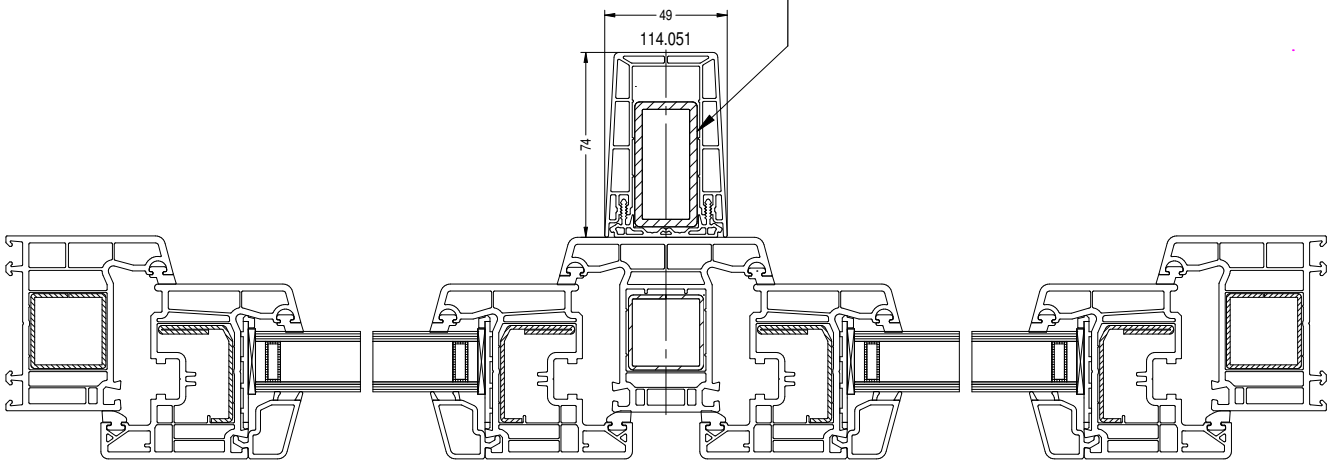
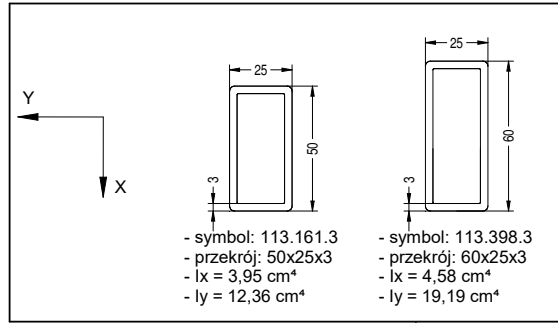


Traverse 109.286

Bracing elements



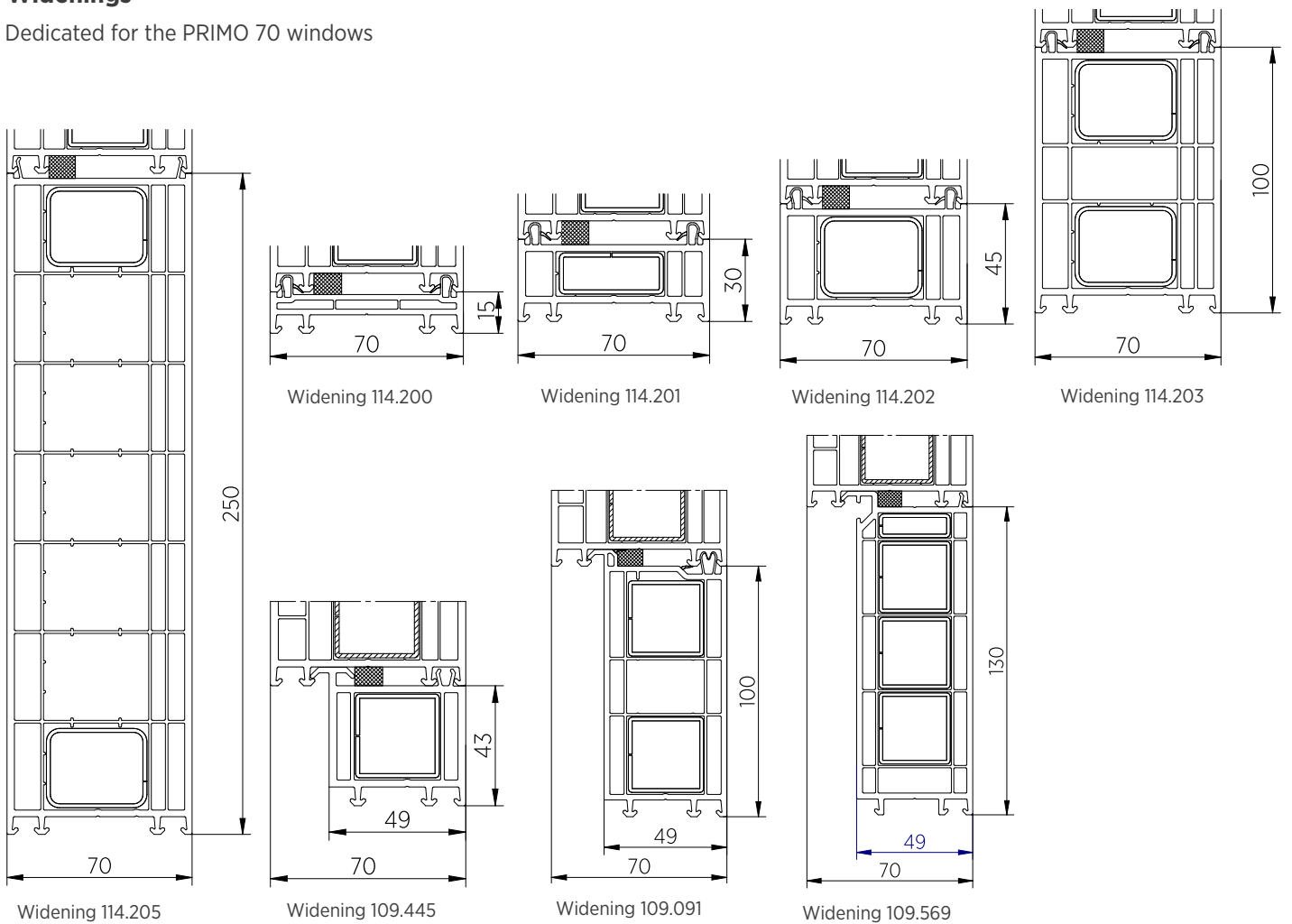
Bracing element 114.031

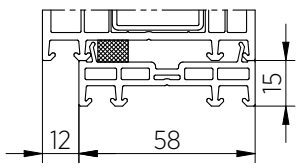


Bracing element 114.051

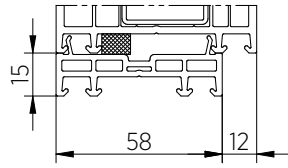
Widenings

Dedicated for the PRIMO 70 windows

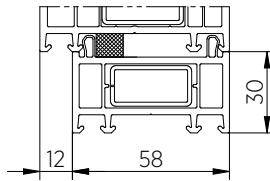




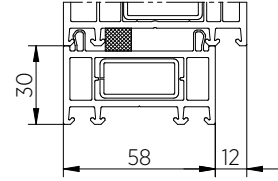
Widening 58x15 faced inside



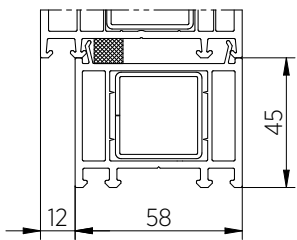
Widening 58x15 faced outside



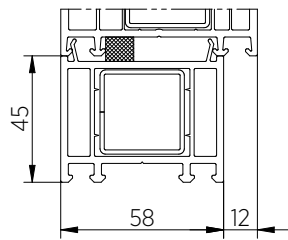
Widening 58x30 faced inside



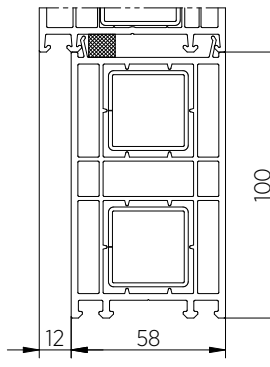
Widening 58x30 faced outside



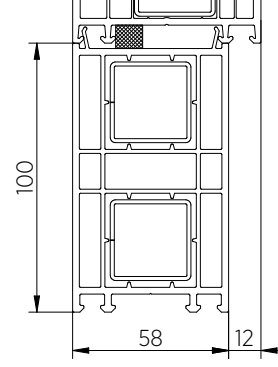
Extension 58x45 faced inside



Extension 58x45 faced outside



Widening 58x100 facing inside

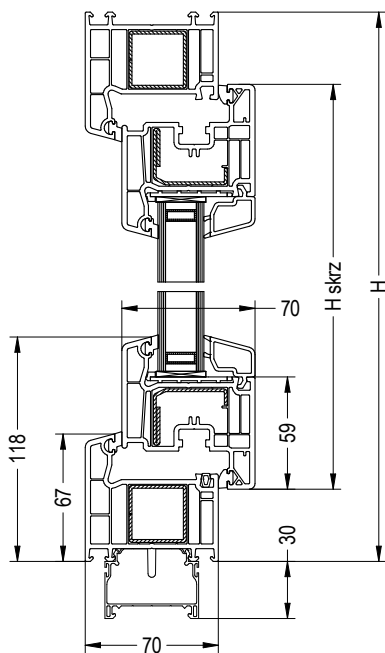


Widening 58x100 facing outwards

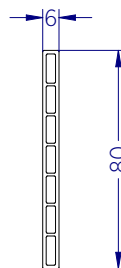
Undersill strips

Thermal strip

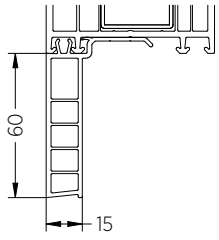
The maximum number of thermal strips is 2, whereas the maximum height of stacked thermal strips is 60 [mm].



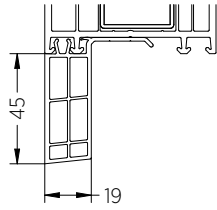
Covering profiles



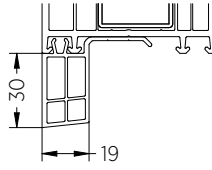
Covering profile 109.046



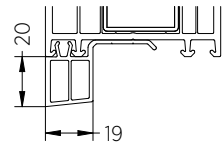
Sill strip 60 [mm]



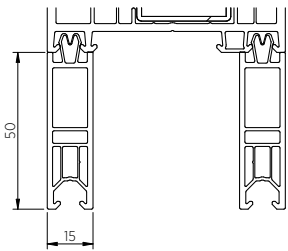
Sill strip 45 [mm]



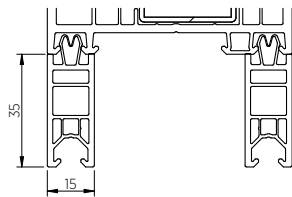
Sill strip 30 [mm]



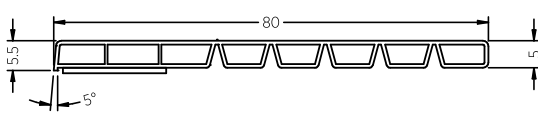
Sill strip 20 [mm]



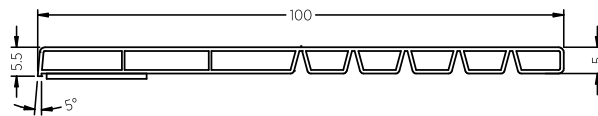
Sill strip 50 [mm]



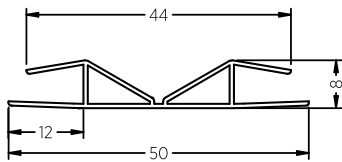
Sill strip 35 [mm]



Chamber rail 80 [mm]



Chamber rail 100 [mm]



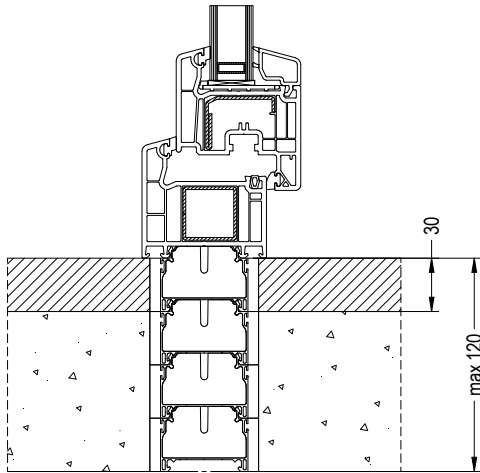
Connecting profile 50 [mm]



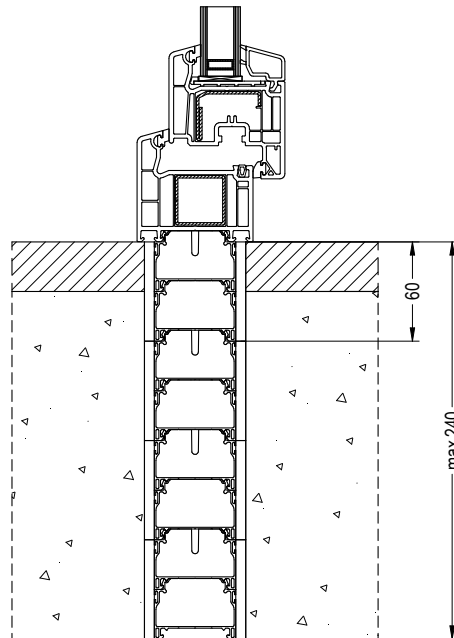
Thermal widening

The maximum number of thermal widenings is 4, whereas the maximum height of stacked thermal widenings is:

For thermal widenings 30 [mm] = 120 [mm]



For thermal widenings 60 [mm] = 240 [mm]

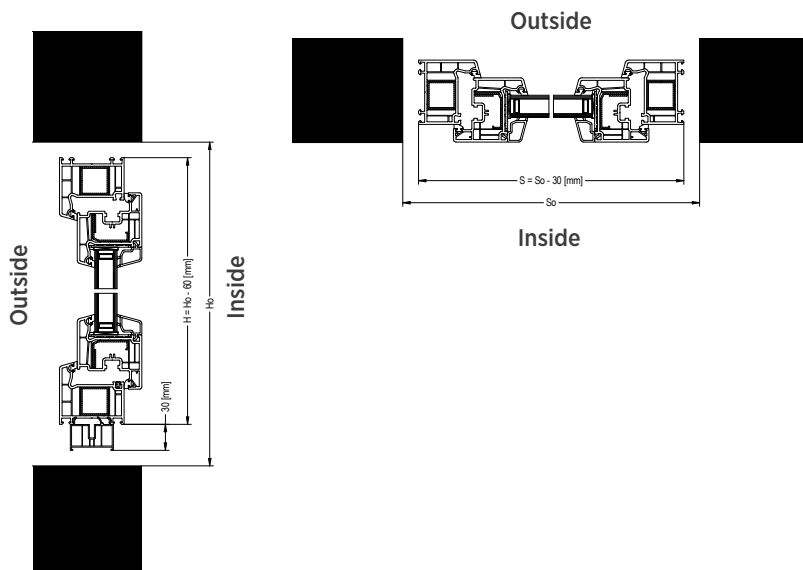


Accessories and delivery

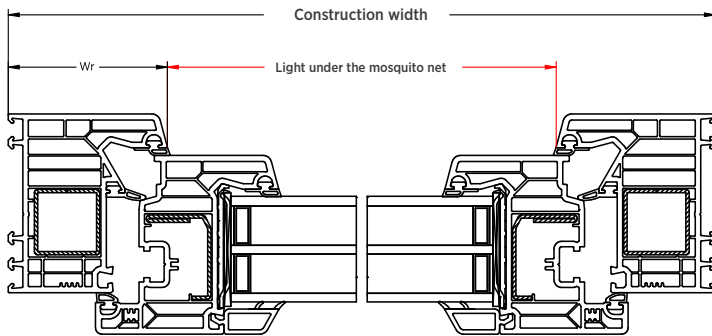
The windows are assembled and ready for fitting (optionally with opening frame holes for direct mounting and steel anchors for indirect mounting). The windows are delivered in one piece. Large windows consisting of two or more elements are disassembled into parts for shipping. The glass for the HST patio door is delivered in transport frames.

Ordering and installation dimensions for windows and PSK

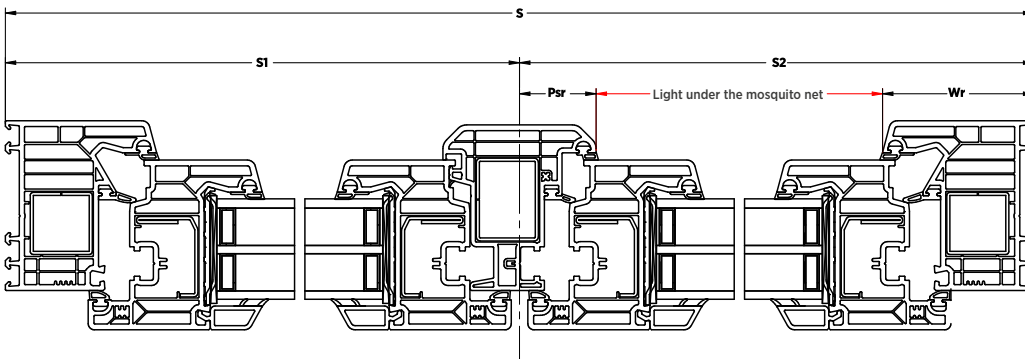
Drilling for wall plugs is an option and is performed in accordance with the customer's requirements. Wall plug hole diameter – \varnothing 6 [mm]. In the order, please provide the H dimension, without the 30 [mm] undersill strip.



Sized for a mosquito screen



Profile system	Frame geometry	Frame height Wr [mm]
Perfectline 70	101.208	67



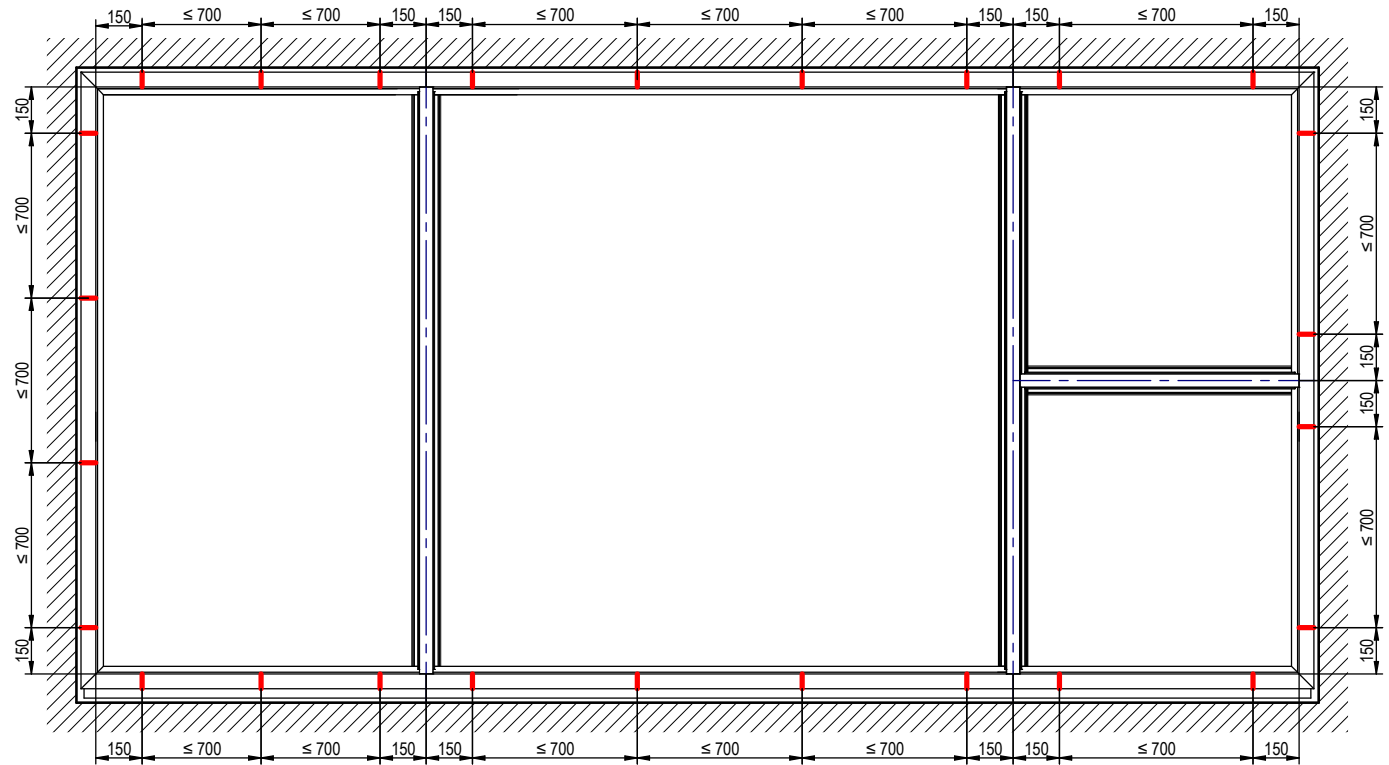
Clear opening for a mosquito screen, calculation formula: $\text{Clear opening} = S2 - Wr - Psr$

Profile system	Geometry of a moving post	Moving post division Psr [mm]
Perfectline 70	102.236	32

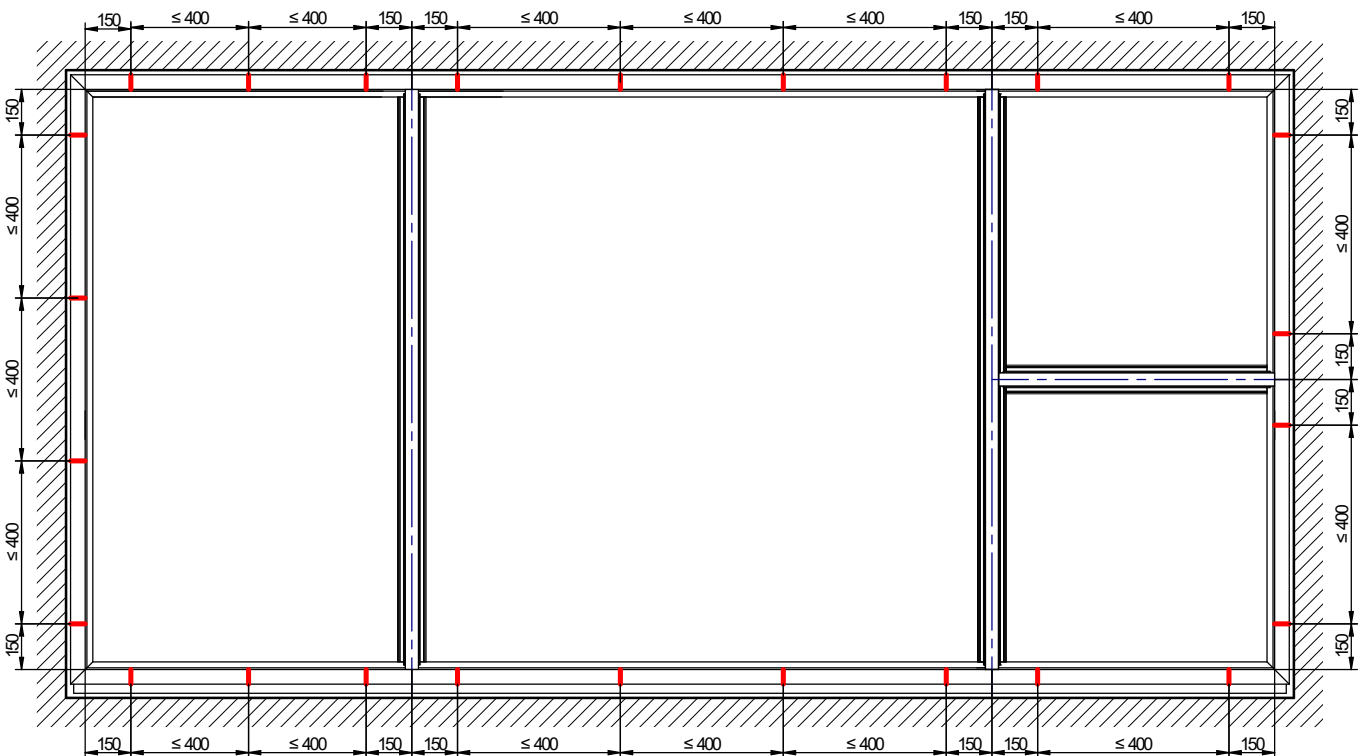
S2 - division size of the ACTIVE section of a window with a moving post



Spacing of anchors / dowels – STANDARD windows, windows with the Security 1 / Security 2 burglary protection class



Spacing of anchors / dowels – windows in the RC2 anti-burglary class



Marking for wall plugs is an option and is performed in accordance with the customer's requirements. Wall plug hole diameter – $\varnothing 6$ [mm].



Pricing guidelines

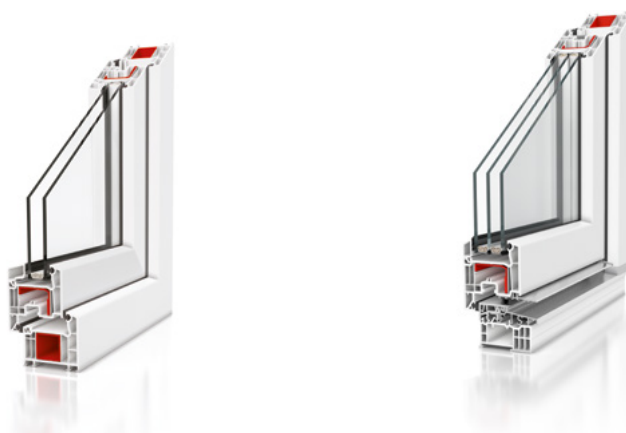
- All the versions are presented as seen from the inside,
- Standard hardware for windows: Maco MultiMatic,
- Each structure includes a transport and installation bar,
- In window leafs, the RU function is always used for calculation. When pricing structures which are not listed in the price list, please contact the Sales Department.
- We reserve the right to estimate the final value and determine the feasibility of production of the joinery.











Window type		PRIMO 70	PRIMO 70 with a low threshold
Number of chambers in the frame		5	5
Installation depth		70 mm	70 mm
Profile class		A	A
Profile core		white, caramel, brown	white, caramel, brown
Gaskets around the circumference		2	2
Structural reinforcement		steel box section in the frame	steel box section in the frame
Standard glass unit		single-chamber 4/16/4 Ug=1.1 W/m ² K	single-chamber 4/16/4 Ug=1.1 W/m ² K
Standard hardware	Drive gear with a lifting mishandling device and a leaf lifter	●	●
	Moving rollers i.S.	●	●
	Alloy catches, two anti-burglary catches in the RU leaf	●	●
	Microventilation in scissor stay	●	●
	Surface hinges with pressure adjustment	●	●
	Bottom striker plate in the RU leafs	●	●
	Anti draught lock in RU	●	●
	Aluminium threshold with a widening 30 mm	—	●
Handle	aluminium	aluminium	
Also available in class	SECURITY 1, SECURITY 2, RC2	SECURITY 1, SECURITY 2, RC2	



Window type	PRIMO PSK-70
Number of chambers in the frame	5
Profile thickness	70 mm
Gaskets around the circumference	2
Structural reinforcement	steel box section in the frame
Standard glass unit	single-chamber 4/16/4 Ug=1.1 W/m ² K
Handle	aluminium
Also available in class	PSK Standard and PAS – SECURITY 2 Scheme A

**WIŚNIEWSKI**

WIŚNIEWSKI Sp. z o.o. S.K.A.
PL 33-311 Wielogłowy 153
tel. +48 18 44 77 111
Fax +48 18 44 77 110

www.wisniowski.eu

Let us inspire you!
See other solutions from WIŚNIEWSKI!



The products shown in this publication often feature special accessories and do not always correspond to their standard versions • The technical data sheet does not constitute an offer within the meaning of the Polish Civil Code • The manufacturer reserves the right to introduce changes without notice • NOTE: The colours shown in the technical data sheet are for reference only • All rights reserved • Copying and use, in part or in full, is prohibited without the consent of WIŚNIEWSKI Sp. z o.o. S.K.A. • PVC Windows PRIMO 70/05.24/EN